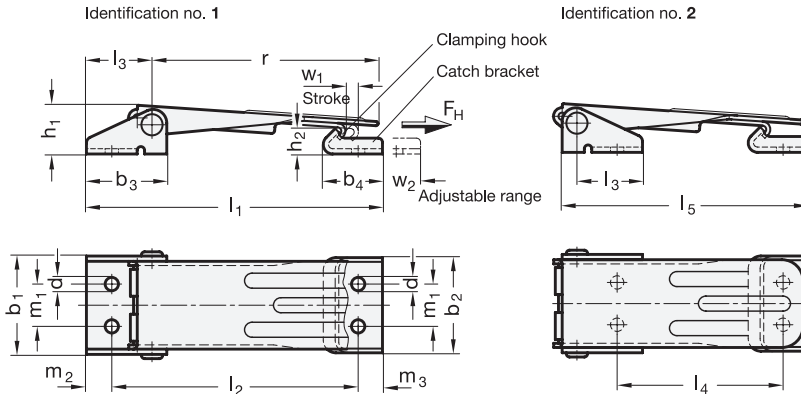




ROST freit[®] Inox
Stainless
Steel



2 Type

- A** without safety catch
- S** with safety catch
- SV** for safety catch with padlock
- SS** with key lock

4 Identification No.

- 1** long Type
- 2** short Type

1

Size	F _H in N Holding capacity	b ₁	b ₂	b ₃	b ₄	h ₁	h ₂	h ₃	h ₄	l ₁ min. Identification No. 1 Type A Type SV	l ₁ min. Identification No. 1 Type S Type SS	l ₂ min. Identification No. 1 Type A Type SV	l ₂ min. Identification No. 1 Type S Type SS
400	4000	46,5	45	38	27	22	12	28,5	32,5	144	147	120,5	123,5

Size	l ₃	l ₄ min. Identification No. 2 Type A Type SV	l ₄ min. Identification No. 2 Type S Type SS	l ₅ min. Identification No. 2 Type A Type SV	l ₅ min. Identification No. 2 Type S Type SS	d	m ₁	m ₂	m ₃	r	w ₁ ≈ Stroke	w ₂ ≈ Adjustable range Type A Type SV	w ₂ ≈ Adjustable range Type S Type SS
400	32	80,5	83,5	118	121	6,3	20	12	11,5	107,5	6,5	15	8

Specification

- Steel **ST**
zinc plated, blue passivated finish
- Stainless Steel **NI**
only Type A, S and SV
- Parts in sheet metal AISI 305
- Clamping hook / pin AISI 303
- *Stainless Steel characteristics → Page 1144*
- **RoHS compliant**

3

Information

Toggle Latches GN 821 are used among others for the secure holding of flaps and container lids. The clamps will lock securely over the centre and are thus vibration proof.

The stroke w₁ of the clamping hook can pull the parts to be clamped together by up to 6 mm. The range w₂ can be adjusted on the M6 threaded spindle at the clamping hook.

The types S, SV and SS prevent unwanted release of the toggle latch.

In the standard version the toggle latches of type SS have the same lock and / or the same key.

The load specified in the table are simply guide line values for a nominal static pulling force which the lock can withstand. Depending on the conditions under which these toggle latches are used such as vibration or shock loads, the holding capacity can be adversely affected.

The catch bracket is included.

see also...

- *Hook clamps GN 851 → Page 726*

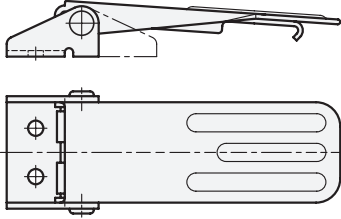
How to order

GN821-400-SV-NI-2

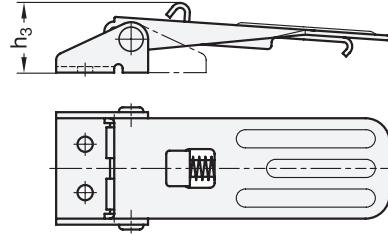
1	Size
2	Type
3	Material
4	Identification No.

The respective long versions (identification no. 1) are pictured

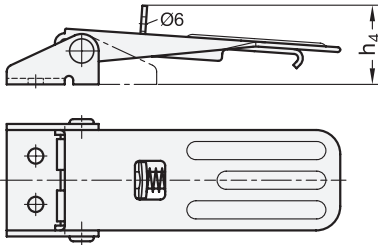
Form A
without safety catch



Form S
with safety catch



Type SV
with padlock



Type SS
with key lock

