

2 Type

BC 2 clamping arms vertical for centred clamping



Size (Piston-Ø)	max. clamping moment in Nm at 6 bar	F_S in N Clamping force at r at 6 bar	F_H in N Holding capacity at r at 6 bar	a	b $-0,2$	d_1 h8	d_2	d_3 H8	d_4	d_5	$l_1 -0,5$	$l_2 -0,5$
20	60	630	1150	21	10	28	M 5	7	4,2	M 5	150	171
32	150	1110	1520	31	12	40	M 6	9	5	G 1/8	206	237
40	300	1800	2000	37	16	50	M 8	11	6,8	G 1/8	244	282

Size (Piston-Ø)	l_3	l_4	l_5	$l_6 \approx$	$m_1 \pm 0,01$	m_2	$m_3 \pm 0,01$	$m_4 \pm 0,01$	m_5	r	s	t
20	70	21	4,5	45	12	7,5	17	22	13	48	32	13
32	91	31	6	72,5	18	10	25	30	22	67,5	42	15
40	104	38	7,5	89,5	22	13	30	37	25	82,5	52	18

Specification

- Steel C45
blackened finish
- max. pressure 10 bar
- ISO-Fundamental Tolerances → Page 1132
- RoHS compliant

Information

The clamping forces F_S in GN 866 pneumatic fastening clamps are directed inwards at the clamping arms.

The maximum clamping moment of the pneumatic fastening clamps GN 866 is reached once the clamping arm is at the end of its stroke.

For this reason the working stroke should be completed as closely as possible to the stroke end.

see also...

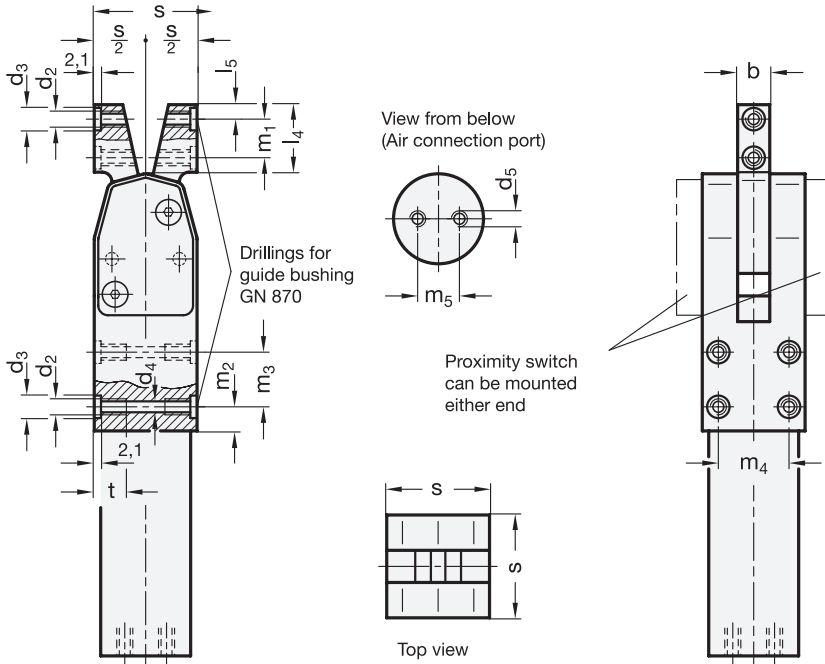
- Operating principle, mounting methods → Page 772
- Guide bushings GN 870 → Page 792
- Proximity switch with mounting bracket → Page 793
- Accessories → Page 783

How to order

GN866-20-BC

1 Size

2 Type



2.1
2.2
2.3
2.4

2.5
2.6

2.7
2.8

2.9

