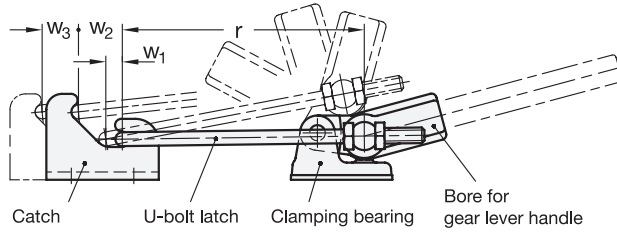


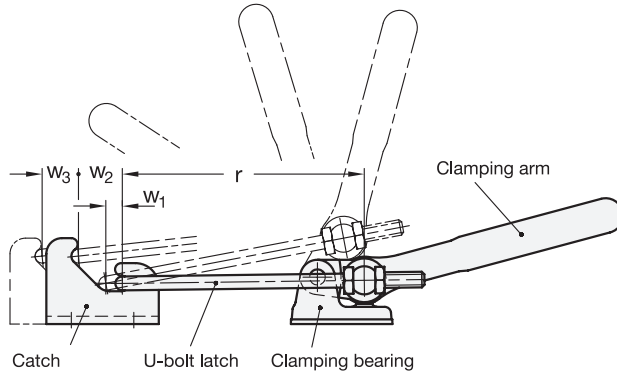
Coding 1



2 Coding

- 1 with bore for gear lever handle
- 2 with clamping arm

Coding 2



3 Type

T2S for welding

1

Size	F _H in N Holding Capacity	a ₁	a ₂	b ₁	b ₂	b ₃	b ₄	b ₅	b ₆	d ₁	d ₂	d ₃	h ₁ ≈ Coding 1	Coding 2
1500	15000	26	28	65	43	52	70	72	30	M 10	8,5	18	55	81

Size	h ₂	l ₁ ≈ Coding 1	Coding 2	l ₂ min.	m ₁	m ₂	r	t	w ₁	w ₂	w ₃ ≈ Stroke	w ₄ ≈ Adjustable range
1500	55	220	334	186	40	16	120	30	10,5	28	25	40

Specification

- Clamping bearing / Clamping arm
Steel
- forged
- weldable
- blank
- U-bolt latch/ Bearing pins
Steel St 37
blank
- Catch
Sheet metal steel
blank
- RoHS compliant

Information

The outstanding feature of GN 854 latch-type toggle clamps is their highly robust, sturdy and compact design, allowing their use under demanding conditions, e.g. exposure to high temperatures, dust, spray mist, etc.

The specially designed catch allows the forced loosening of the clamping by the clamping arm moving the U-bolt latch forward, e.g. for separating mold halves.

Catch with bore (coding 1) are operated with a gear lever handle which is plugged into the latch and pulled off after operation. This saves space and has the added advantage that the gear lever handle is not exposed to adverse ambient conditions, e.g. becoming too hot to operate. The gear lever handle is not included in the delivery.

The catch can also be attached using screws or bolts.

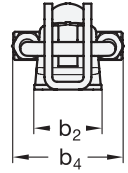
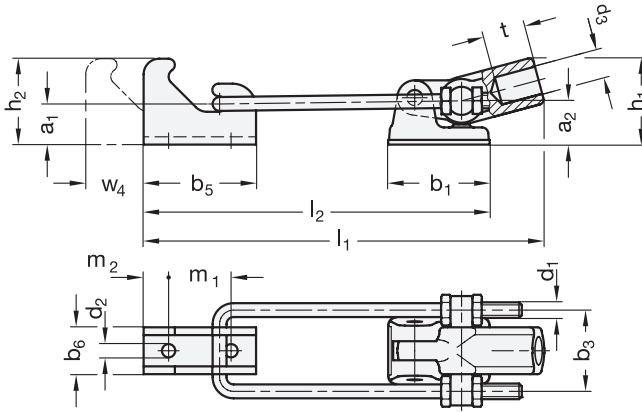
If required, clamps and catches are also available as separate parts; for replacement, the bearing pin is easily dismantled.

How to order

GN 854-1500-1-T2S

1	Size
2	Coding
3	Type

Coding 1



Coding 2

