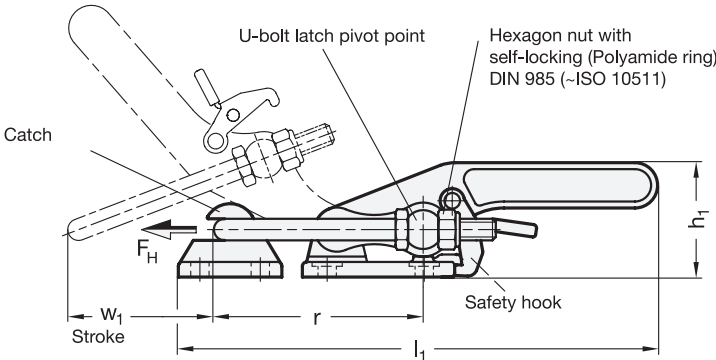




ROSTFREI
Inox
Stainless
Steel

2 Type

- T6** with mounting holes, with U-bolt latch, with catch
- T** with mounting holes, without U-bolt latch, with catch
- T6S** for welding, with U-bolt latch, with catch
- TS** for welding, without U-bolt latch, with catch



1

Size	F _H in N Holding Capacity	a ₁	a ₂	b ₁	b ₂	b ₃	b ₄	b ₅	b ₆	b ₇	d ₁	d ₂	d ₃	h ₁ ≈	h ₂
1700	17000	22	21	68	64	46	48	68	26,5	38	M 10	8,5	14	55	34,5
4000	40000	28	27	85	80	55	60	85	32	50	M 12	10,5	16	68	42,5

Size	l ₁ ≈ Type T6S / TS	Type T6 / T	l ₂ min.	l ₃ ≈	m ₁	m ₂	m ₃	m ₄	m ₅	r ≈ at w ₂ = 0	s ₁	s ₂	t	w ₁ Stroke	w ₂ ≈ Adjustable range
1700	218	223	32,5	129	45	11,5	45	10	28	96	7	7	2	54	15
4000	266	271	29,5	151	57	14	57	12,5	35	107	9	9	2	62	25

Specification

- Body / catch / clamping lever / U-bolt latch
Stainless Steel AISI 304 forged
- Other parts
Stainless Steel AISI 303
- All moving parts lubricated with special grease
- *Stainless Steel characteristics* → Page 1144
- **RoHS compliant**

3

Information

The GN 852.3 latch type toggle clamps are compact in design and can be used to ensure high holding capacities.

When closing the spanner, a safety hook positively locks onto the body. This prevents the inadvertent or vibration-induced release from the clamping position. To open the safety hook it is unlocked per one-hand operation.

The U-bolt latch can be adjusted within its range.

In addition to the standard lengths for the U-bolt latch shown above, more lengths may be achieved by using series GN 951.1 square U-bolts

see also...

- *General information for toggle clamps* → Page 676
- *Square U-bolts GN 951.2* → Page 741

NI

How to order

GN852.3-1700-T6-NI

- 1** Size
- 2** Type
- 3** Material

