

ROSTFREI  
Inox  
Stainless  
Steel

## 2 Type

- T2** with mounting holes, with U-bolt latch, with catch
- T** with mounting holes, without U-bolt latch, with catch
- T2S** for welding, with U-bolt latch, with catch
- TS** for welding, without U-bolt latch, with catch

## 1

Size	F <sub>H</sub> in N Holding Capacity	a <sub>1</sub>	a <sub>2</sub>	b <sub>1</sub>	b <sub>2</sub>	b <sub>3</sub>	b <sub>4</sub>	b <sub>5</sub>	b <sub>6</sub>	b <sub>7</sub>	d <sub>1</sub>	d <sub>2</sub>	d <sub>3</sub>	h <sub>1</sub> ≈	h <sub>2</sub>
1400	14000	22	21	68	64	46	48	68	26,5	38	M 10	8,5	14	52	34,5
2800	30000	28	27	85	80	55	60	80	32	50	M 12	10,5	16	65	42,5

Size	l <sub>1</sub> ≈	l <sub>2</sub> min.	l <sub>3</sub> ≈	m <sub>1</sub>	m <sub>2</sub>	m <sub>3</sub>	m <sub>4</sub>	m <sub>5</sub>	r ≈ at w <sub>2</sub> = 0	s <sub>1</sub>	s <sub>2</sub>	t	w <sub>1</sub> Stroke	w <sub>2</sub> ≈ Adjustable range
1400	218	29	129	45	11,5	45	10	28	96	7	9,2	2	63	15
2800	265	29	151	57	14	57	12,5	35	117	9	12,7	2	78	15

## Specification

- Body / fixed catch / clamping lever and U-bolt latch  
Stainless Steel AISI 304 **NI** forged
- Other parts  
Stainless Steel AISI 303
- All moving parts lubricated with special grease
- Stainless Steel characteristics → Page 1144
- RoHS compliant

## On request

- Latch-type toggle clamps with safety pawl

## 3

## Information

GN 852 heavy duty latch-type toggle clamps are used for very high holding forces as may be required in plastic high pressure mold forming.

The stroke of the U-bolt latch can be adjusted within its range.

In addition to the standard lengths of the U-bolt latches shown in the table, a variety of other lengths are also available under the GN 951.2 series.

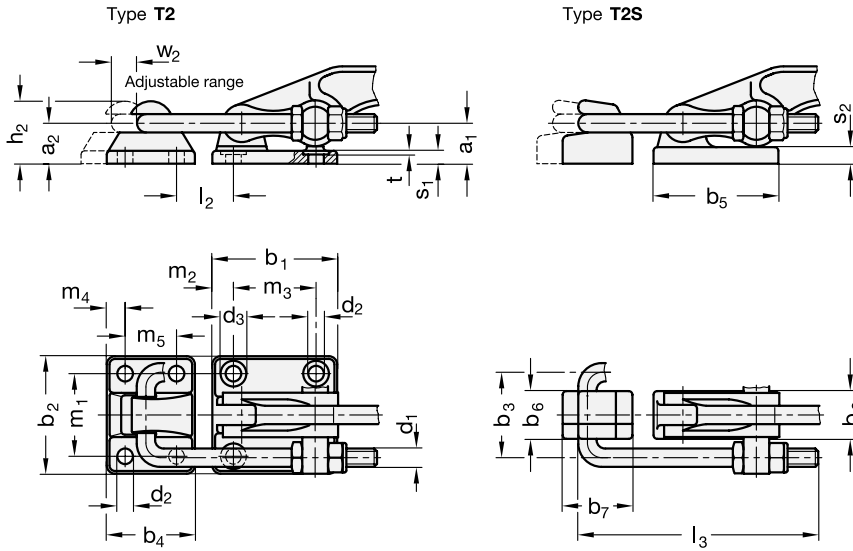
see also...

- General information for toggle clamps → Page 676
- Latch-Type Toggle Clamps GN 852 (Steel) → Page 736
- Square U-bolts GN 951.2 → Page 741

How to order

GN 852-2800-T2-NI

1	Size
2	Type
3	Material



2.1  
2.2  
2.3  
**2.4**  
2.5  
2.6  
2.7  
2.8  
2.9