

ROSTFREI
Inox
Stainless
Steel

2 Type

T6 with U-bolt latch, with catch

T without U-bolt latch, with catch

1

Size	F _H in N Holding Capacity	a	b ₁	b ₂	b ₃	b ₄	b ₅	d ₁	d ₂	h ₁ ≈	h ₂
160	1600	12	26	28	21	20	14	M 4	4,3	31	18
320	3200	16	40	44	32	28	22	M 6	6,5	45	25
700	7000	24	60	54	38	38	26	M 8	8,5	56	36

Size	l ₁ ≈	l ₂ min.	m ₁	m ₂	m ₃	m ₄	m ₅	r ≈ at w ₂ = 0	s	W ₁ Stroke	W ₂ ≈ Adjustable range
160	99	11	19	5	16	5	10	35	2	25	11
320	166	20	32	10,5	19	7	14,3	54	3	35	13
700	217	25	38	9,5	41,5	9,5	19	70	3,5	49	26

Specification

- Steel
 - Case-hardened Steel C10 zinc plated, blue passivated finish
 - U-bolt latch Steel St 37 zinc plated, blue passivated finish
- Stainless Steel **A4**
 - Sheet metal parts / U-bolt latch / Pin AISI 316 L
- All mobile sections lubricated with special grease
- Handle with plastic sleeve red, oil resistant
- *Stainless Steel characteristics* → Page 1144
- **RoHS compliant**

3

Information

The GN 851.3 latch type toggle clamps are compact in design and can be used to ensure high holding capacities.

When closing the spanner, a safety hook positively locks onto the body. This prevents the inadvertent or vibration-induced release from the clamping position. To open the safety hook it is unlocked per one-hand operation.

The U-bolt latch can be adjusted within its range.

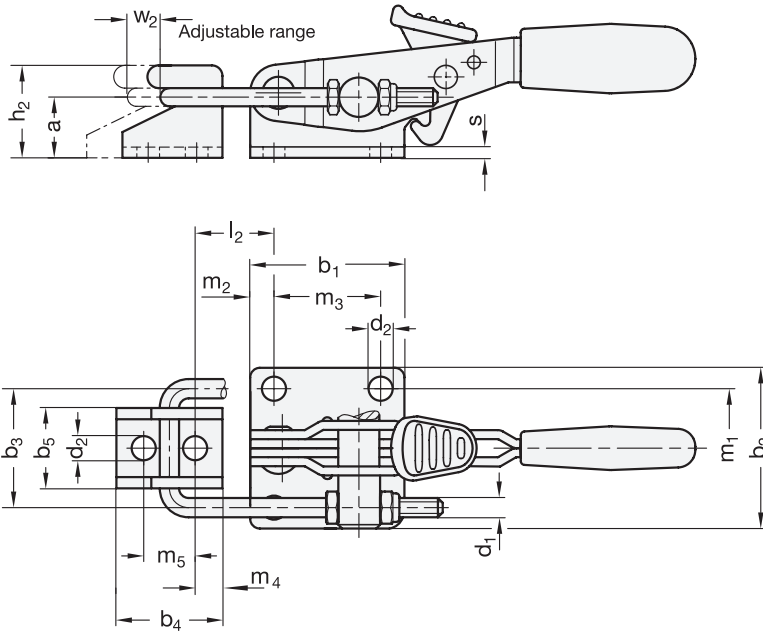
In addition to the standard lengths for the U-bolt latch shown above, more lengths may be achieved by using series GN 951.1 square U-bolts.

see also...

- *General information for toggle clamps* → Page 676
- *Square U-bolts GN 951.1* → Page 740

How to order (Steel)	1	Size
	2	Type
GN 851.3-160-T6		

How to order (Stainless Steel)	1	Size
	2	Type
	3	Material
GN 851.3-160-T6-A4		



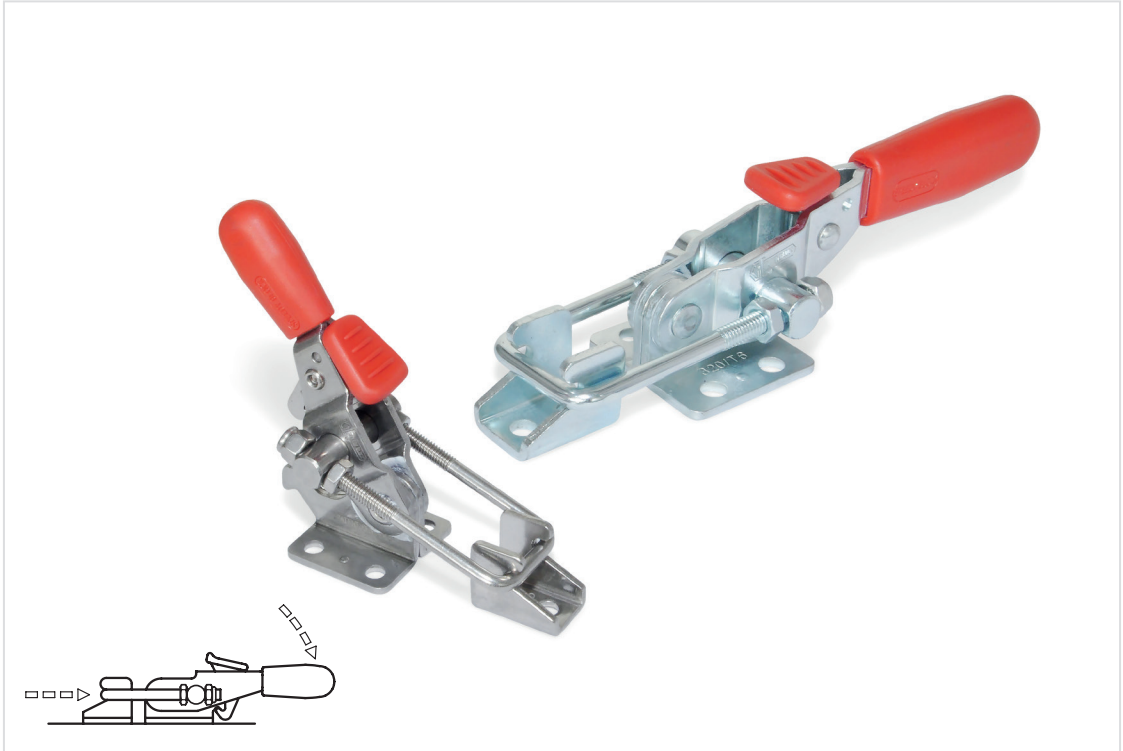
2.1

2.2

2.3

2.4

2.5



2.6

2.7

2.8

2.9

2.10