

2 Type

- T4** with U-bolt latch, with catch
- T** without U-bolt latch, with catch

1

Size	F _H in N Holding Capacity	a	b ₁	b ₂	b ₃	b ₄	b ₅	d ₁	d ₂	h ₁ ≈	h ₂
160	1600	5	26	35	21	25,5	14	M 4	4,3	40	10
320	3200	8	36	44	32	37	22	M 6	6,5	57,5	15
700	7000	13	52	54	38	48,5	26	M 8	8,5	82	23

Size	l ₁ ≈	l ₂ min.	m ₁	m ₂	m ₃	m ₄	m ₅	r ≈ at w ₂ = 0	s	w ₁ Stroke	w ₂ ≈ Adjustable range
160	104	4,5	22	6,5	13	6,5	14,3	50	2	32	12
320	159	6	25,5	8,5	19	10,5	20,5	78	3	53	21
700	225	8	36,5	10	32	13,5	27	98	3,5	64	30

Specification

- Parts in sheet metal
Case-hardened steel C10
zinc plated, blue passivated finish
- U-bolt latch
Steel St 37
zinc plated, blue passivated finish
- All moving parts lubricated with special grease
- Handle with plastic sleeve
red, oil resistant
- RoHS compliant

Information

The pulling hook of the latch clamps GN 851.2 can be adjusted within the stroke.

In the clamped position the U-bolt latch and the clamping arm are horizontal to the vertical fixing plane.

In addition to the standard lengths of the U-bolt latches shown in the table, a variety of other lengths are also available under the GN 951.1 series.

see also...

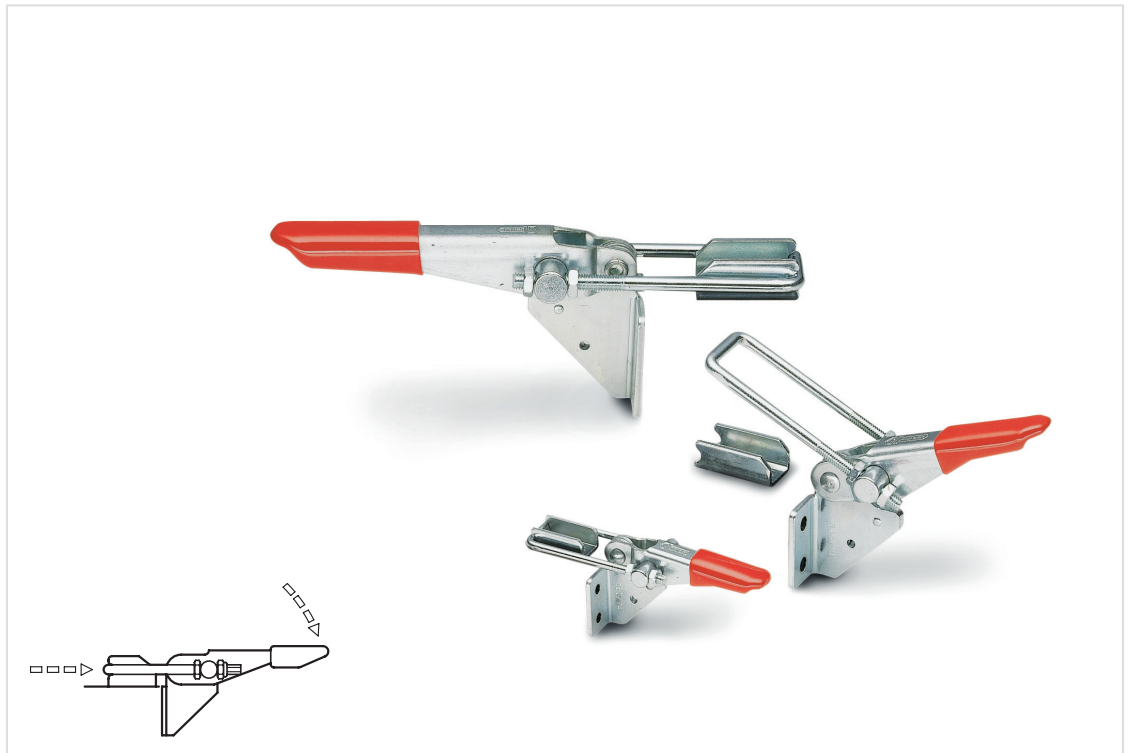
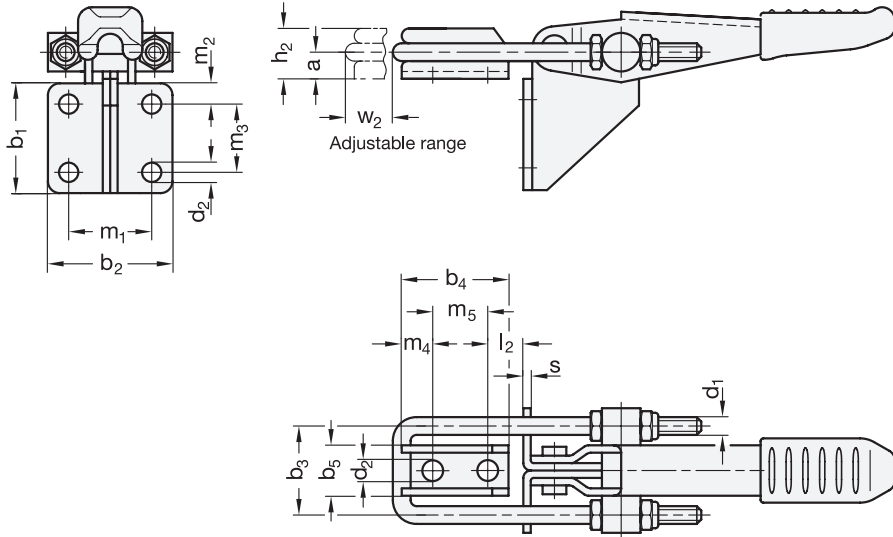
- General information for toggle clamps → Page 676
- Square U-Bolts GN 951.1 → Page 740

How to order

GN851.2-160-T4

1 Size

2 Type



2.1
2.2
2.3
2.4
2.5
2.6
2.7
2.8
2.9