

ROSTFREI  
Inox  
Stainless  
Steel

**2 Type**

- T2** with U-bolt latch, with catch
- T** without U-bolt latch, with catch

**1**

Size	F <sub>H</sub> in N Holding Capacity	a	b <sub>1</sub>	b <sub>2</sub>	b <sub>3</sub>	b <sub>4</sub>	b <sub>5</sub>	d <sub>1</sub>	d <sub>2</sub>	h <sub>1</sub> ≈	h <sub>2</sub>
160	1600	12	26	28	21	20	14	M 4	4,3	26	18
320	3200	16	40	44	32	28	22	M 6	6,5	30	25
700	7000	24	60	54	38	38	26	M 8	8,5	42	36

Size	l <sub>1</sub> ≈	l <sub>2</sub> min.	m <sub>1</sub>	m <sub>2</sub>	m <sub>3</sub>	m <sub>4</sub>	m <sub>5</sub>	r ≈ at w <sub>2</sub> = 0	s	w <sub>1</sub> Stroke	w <sub>2</sub> ≈ Adjustable range
160	98	11	19	5	16	5	10	35	2	25	11
320	152	19	32	10,5	19	7	14,3	57	3	48	10
700	220	21	38	9,5	41,5	9,5	19	74	3,5	58	22

**Specification**

- Steel —
- Case-hardened Steel C10 zinc plated, blue passivated finish
- U-bolt latch Steel St 37 zinc plated, blue passivated finish
- Stainless Steel **NI**
- Parts in sheet metal / Square U-Bolt AISI 304
- Pin AISI 303
- All mobile sections lubricated with special grease
- Handle with plastic sleeve red, oil resistant
- *Stainless Steel characteristics* → Page 1144
- RoHS compliant

**3**

**Information**

The stroke of the U-bolt latch of GN 851 latch type toggle clamps can be adjusted within its range.

In the clamped position the U-bolt latch with clamping arm is parallel to the plane of the operating handle.

In addition to the standard lengths for the U-bolt latch shown above, more lengths may be achieved by using series GN 951.1 square U-bolts.

see also...

- *General information for toggle clamps* → Page 676
- *Square U-Bolts GN 951.1* → Page 740

How to order (Steel)

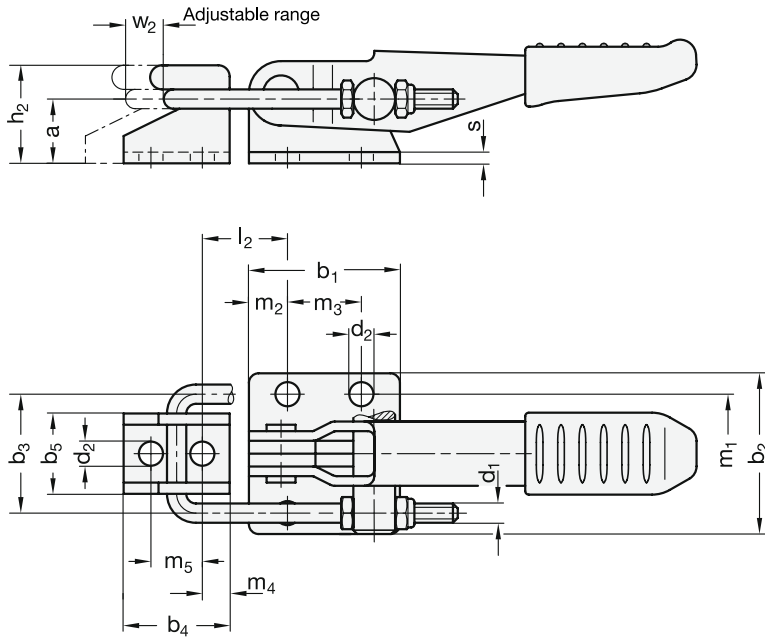
**GN 851-320-T2**

- 1** Size
- 2** Type

How to order (Stainless Steel)

**GN 851-160-T2-NI**

- 1** Size
- 2** Type
- 3** Material



2.1  
2.2  
2.3  
2.4  
2.5  
2.6  
2.7  
2.8  
2.9