

Rost
fret
Inox
Stainless
Steel

- 2 Type**
- AS** without mounting bracket
 - ASW** with mounting bracket

1

Size	F _H in N Holding Capacity	a	b ₁	b ₂	d ₁	d ₂	d ₃	d ₄	h ₁ ≈	h ₂	h ₃
80	3000	24	35	29	10	M 6	M 16 x 1,5	5,5	70,5	38,5	19
165	5400	32	60	35	12	M 8	M 20 x 1,5	6,5	110	50	22
340	7000	48	75	47,6	16	M 10	M 24 x 2	8,5	146	70	30

Size	l ₁ ≈	l ₂ ≈	l ₃ ≈	l ₄ ≈	l ₅	m ₁	m ₂	m ₃	s	t	w Stroke
80	71	65	34	22	22	20	12	-	4	12	21
165	112	104	54	39	41	41	13,5	19	5	15	38
340	173	162	85	68	59	55	19	25	5	18	66

Specification

- Stainless Steel **NI**
 - Parts in sheet metal AISI 304
 - other parts AISI 303
- All moving parts lubricated with special grease
- Hand grip
 - High quality, oil resistant red plastic
- [Stainless Steel characteristics](#) → Page 1144
- [RoHS compliant](#)

Accessory

- [Spindle assemblies](#) → Page 765

3

Information

Stainless Steel-Plunger clamps GN 843.1 can be mounted on a mounting bracket (Type ASW) or directly on the jig.

The centre bushing fixing method allows the operating handle to be turned to the most favorable position.

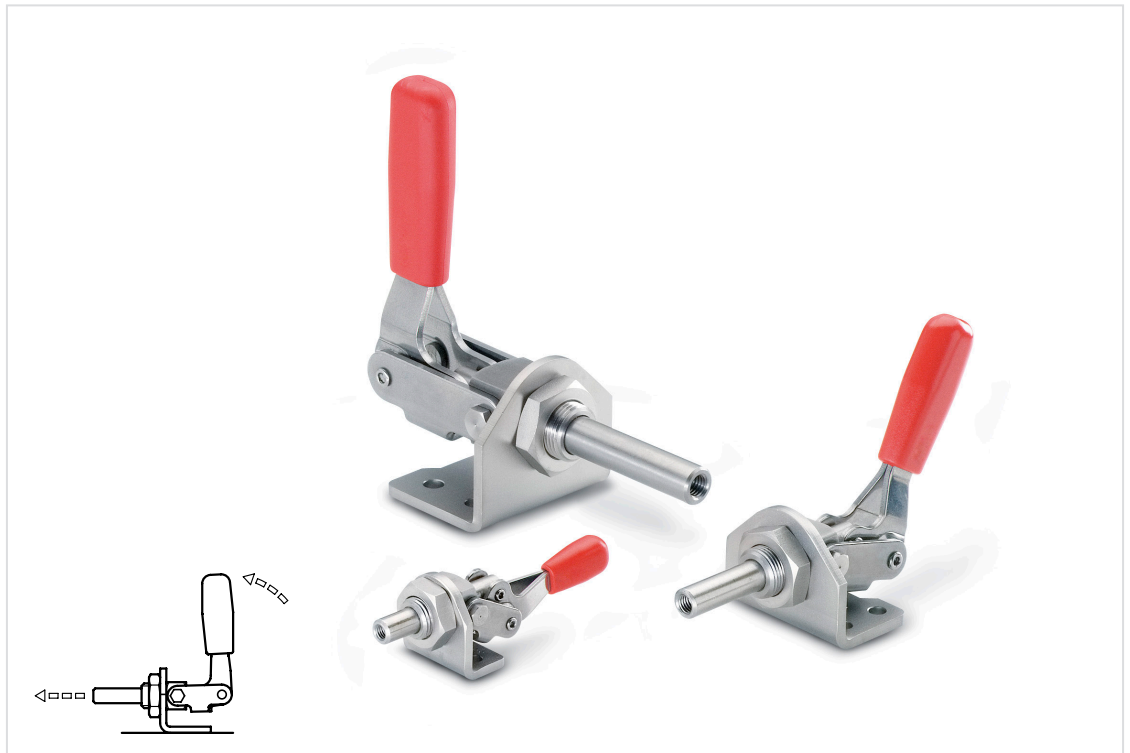
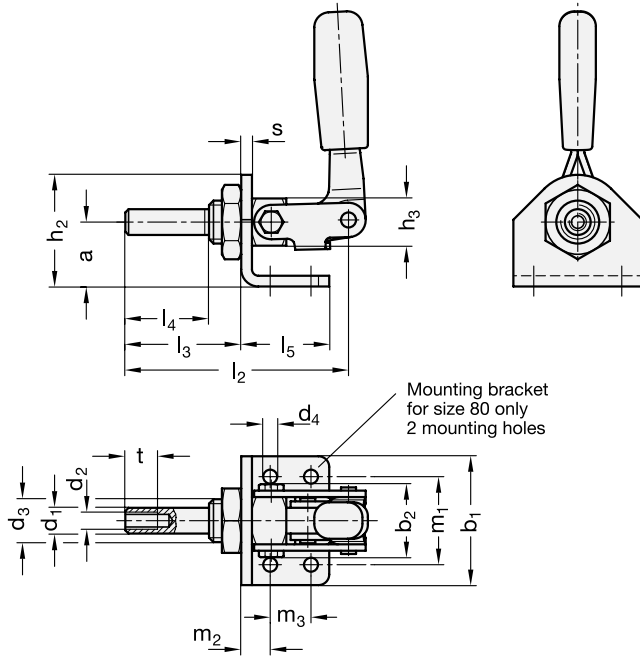
see also...

- [General information for toggle clamps](#) → Page 676
- [Plunger clamps GN 843.1 \(Steel, zinc plated\)](#) → Page 720

How to order

GN843.1-80-ASW-NI

- 1** Size
- 2** Type
- 3** Material



2.1
2.2
2.3
2.4
2.5
2.6
2.7
2.8
2.9