

2 Type

ASD Clamping by turning handle counter-clockwise

ASS Clamping by turning handle clockwise

1

Size	F_H in N Holding Capacity	a	b	d_1	d_2	d_3	d_4	$h_1 \approx$	h_2
50	800	10	17,5	6,5	M 4	12	4,3	45,2	30,5

Size	$l_1 \approx$	$l_2 \approx$	$l_3 \approx$	$l_4 \approx$	m_1	m_2	m_3	t min.	w Stroke
50	73	64,5	33	21	16	16	8	9	16

Specification

- Parts in sheet metal
 - case-hardened Steel C10
 - zinc plated, blue passivated finish
- Plunger Steel St 37
zinc plated, blue passivated finish
- Plunger guide bushing Steel St 37
zinc plated, blue passivated finish
- All mobile sections lubricated with special-grease
- Hand grip
High quality, oil resistant red plastic
- RoHS compliant

Accessory

- Spindle assemblies → Page 765

Information

GN 840 push-pull type toggle clamps are known for their extremely low height regardless of the position of the operating handle.

see also...

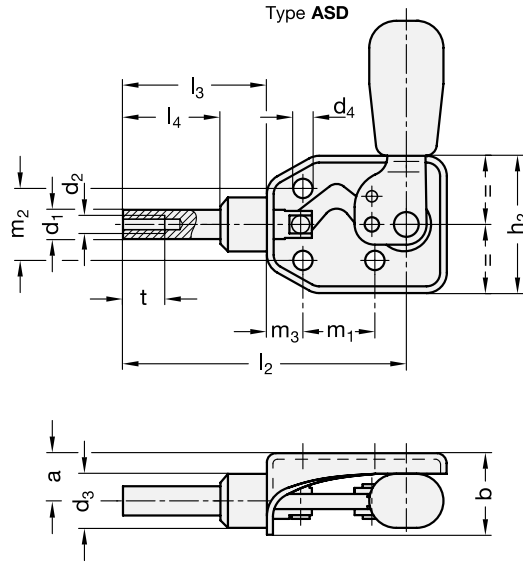
- General information for toggle clamps → Page 676

How to order

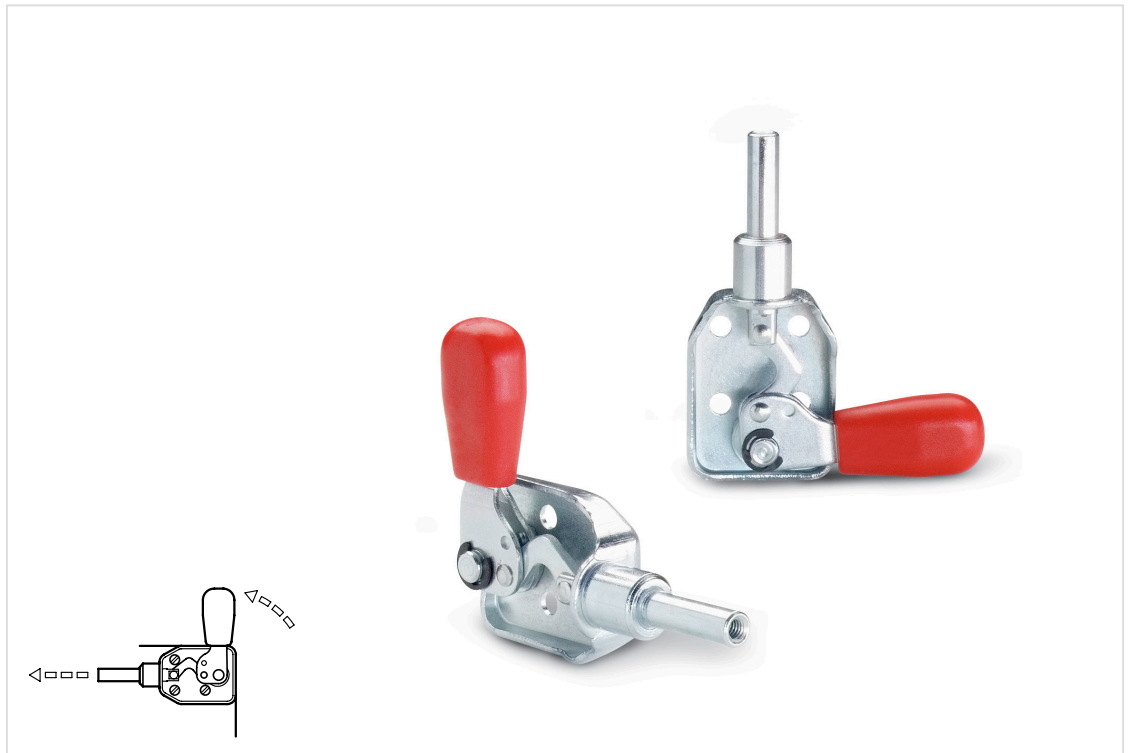
GN 840-50-ASD

1 Size

2 Type



Type ASS is mirror image of type ASD



2.1
2.2
2.3
2.4
2.5
2.6
2.7
2.8
2.9