

- 1
- 2
- 3
- 4
- 5
- 6
- 7
- 8
- 9
- 10
- 11
- 12
- 13
- 14
- 15
- RH
- 

**KNOB**

High-resilience polypropylene based (PP) technopolymer.

**STANDARD EXECUTIONS**

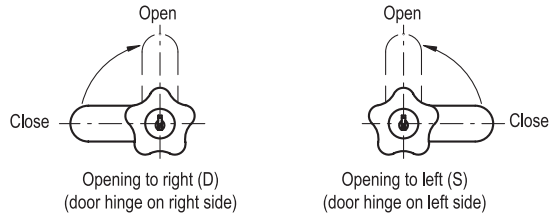
- **VC.308**: with flat closing lever in zinc-plated steel;
- stator and rotor in Zamac;
- lock with stainless steel front plate, Movement of the knob at 90°;
- locking nut in brass;
- spring washer in zinc-plated steel;
- positioning washer in zinc-plated steel, thickness 1.2 mm to be welded to the metal sheet of the door for thin thickness;
- two keys in nickel-plated brass, removable in two positions (locked or unlocked position);
- opening to the right side (D) or to the left side (S);
- lock with 400 different combinations. Each lock has a key with different combination;
- **VC.308-U**: lock with one combination. All locks have the same combination and can be opened with the same key;
- **VC.308-M**: lock with 160 different combinations and master-key. Each lock has a different combination and a relevant key. Two master-keys, which open all of them, are supplied for every purchase order;
- **VC.308-SS**: without lock. The knob can be used for opening both to the right or to left side;
- **VC.309**: available in all the above mentioned executions but with folded closing lever.

**ACCESSORIES ON REQUEST**

Threaded extension to position the closing lever with l=10 mm (VC.308) or l=18 mm (VC.309).

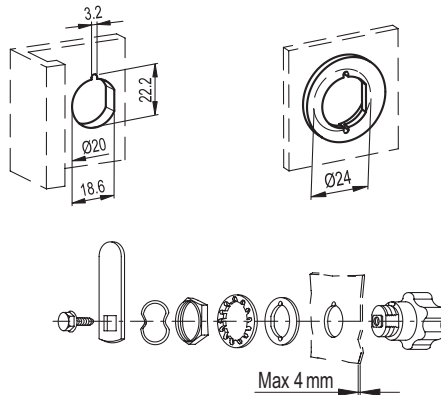


ELESA Original design



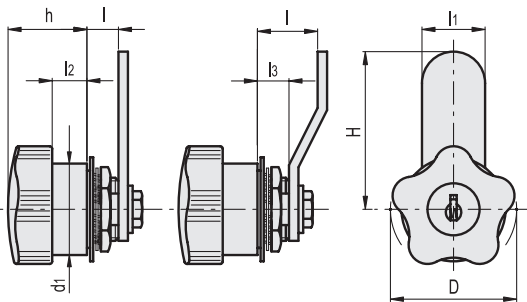
Drilling template for direct fitting

Positioning washer (included in the supply) to be welded to the metal sheet of the door for thin thickness



VC.308

VC.309



**VC.308**

Code	Description	D	H	±0.5	l1	l2	h	d1	Δ
68101	VC.308/40-D	40	50	10	20	11	25	29	146
68102	VC.308/40-S	40	50	10	20	11	25	29	146
68103	VC.308/40-UD	40	50	10	20	11	25	29	146
68104	VC.308/40-US	40	50	10	20	11	25	29	146
68105	VC.308/40-MD	40	50	10	20	11	25	29	146
68106	VC.308/40-MS	40	50	10	20	11	25	29	145
68111	VC.308/40-SS	40	50	10	20	11	25	29	115

**VC.309**

Code	Description	D	H	±0.5	l1	l2	l3	h	d1	Δ
68121	VC.309/40-D	40	48	18	20	11	10	25	29	146
68122	VC.309/40-S	40	48	18	20	11	10	25	29	146
68123	VC.309/40-UD	40	48	18	20	11	10	25	29	146
68124	VC.309/40-US	40	48	18	20	11	10	25	29	146
68125	VC.309/40-MD	40	48	18	20	11	10	25	29	146
68126	VC.309/40-MS	40	48	18	20	11	10	25	29	146
68131	VC.309/40-SS	40	48	18	20	11	10	25	29	115