



STATOR AND ROTOR

AISI 304 stainless steel.

SHAPED CLOSING LEVER

AISI 304 stainless steel, 4 mm thickness.

NUT

M22x1.5 AISI 304 stainless steel.

PACKING RING

NBR synthetic rubber O-Ring.

RING

Nitrile O-ring.

UNDULATED WASHER

Stainless steel.

SCREW

M6x10 AISI 304 stainless steel.

KEY

Polyamide based (PA) technopolymer.

ROTATION

90°.

IP PROTECTION

IP 65 protection class, according to IEC 529 (see page A-19).

STANDARD EXECUTIONS

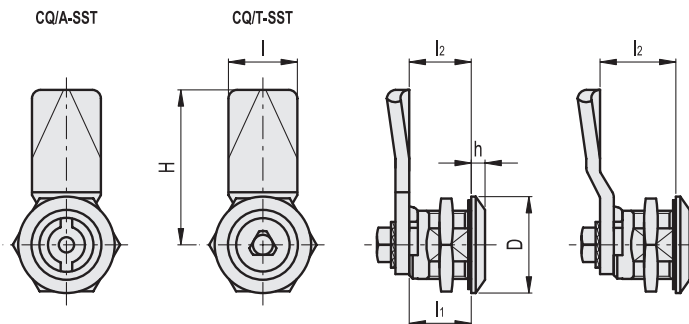
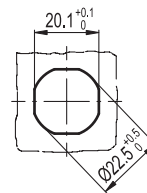
- **CQ/A-SST**: two-wing groove for key.
- **CQ/T-SST**: triangular groove for key.

SPECIAL EXECUTIONS ON REQUEST

- Closing levers in other dimensions.
- Latches and keys supplied separately.



Drilling template



CQ/A-SST



Code	Description	D	H	l	l1	l2	h	⚖️
421331	CQ/A-45-18-SST	28	45	20	18	18	4	88
421337	CQ/A-45-24-SST	28	45	20	18	24	4	95

CQ/T-SST



Code	Description	D	H	l	l1	l2	h	⚖️
421371	CQ/T-45-18-SST	28	45	20	18	18	4	91
421377	CQ/T-45-24-SST	28	45	20	18	24	4	98