

# CQ. | Lever latches with key

Zinc alloy



## STATOR AND ROTOR

Nickel-plated zinc alloy.

## NUT

For threaded stator M19x1 = brass.

For threaded stator M22x 1.5 = zinc-plated zinc alloy.

## SHAPED CLOSING LEVER

Zinc-plated steel.

For threaded stator M19x1, thickness = 2.5 mm.

For threaded stator M22x 1.5, thickness = 3 mm.

## SPRING WASHER

Zinc-plated steel.

## PACKING RING

For threaded stator M19x1 = PVC.

For threaded stator M22x1.5 = SBR rubber.

## SCREW

M5x8 zinc-plated steel.

## KEY

Polyamide based (PA) technopolymer.

## ROTATION

90°.

## IP PROTECTION

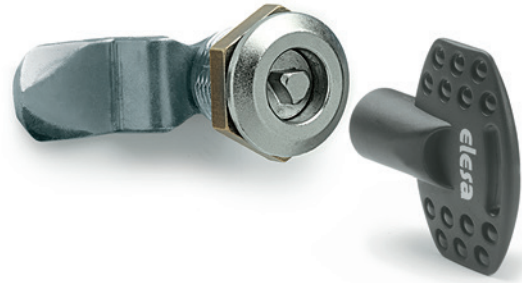
IP 65 protection class, according to IEC 529 (see page A-19).

## STANDARD EXECUTIONS

- CQ/A: two-wing groove for key.
- CQ/T: triangular groove for key.

## SPECIAL EXECUTIONS AND ACCESSORIES

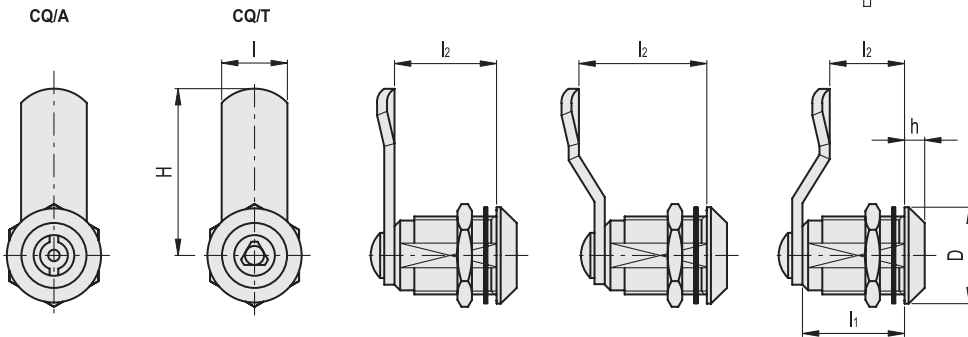
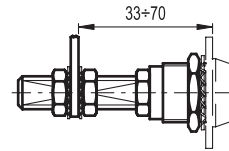
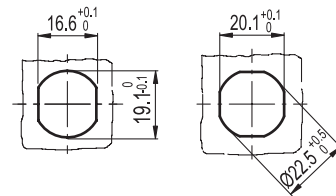
- Closing levers in other dimensions.
- Latches and keys supplied separately.
- Brass threaded extension for prolonged positioning of the lever (code 421137 C.PQ M5/58).



### Drilling templates

for stator M19

for stator M22



| CQ/A   |                    | CQ/T   |                    | D  | H    | l  | l <sub>1</sub> | l <sub>2</sub> | h | △  |
|--------|--------------------|--------|--------------------|----|------|----|----------------|----------------|---|----|
| Code   | Description        | Code   | Description        |    |      |    |                |                |   |    |
| 421301 | CQ/A-M19x1-36-20   | 421341 | CQ/T-M19x1-36-20   | 22 | 35.5 | 16 | 20             | 20             | 4 | 73 |
| 421303 | CQ/A-M19x1-36-25   | 421343 | CQ/T-M19x1-36-25   | 22 | 35.5 | 16 | 20             | 25             | 4 | 75 |
| 421305 | CQ/A-M19x1-36-30   | 421345 | CQ/T-M19x1-36-30   | 22 | 35.5 | 16 | 20             | 30             | 4 | 79 |
| 421307 | CQ/A-M19x1-36-35   | 421347 | CQ/T-M19x1-36-35   | 22 | 35.5 | 16 | 20             | 35             | 4 | 83 |
| 421313 | CQ/A-M22x1.5-45-16 | 421353 | CQ/T-M22x1.5-45-16 | 28 | 45   | 20 | 20             | 16             | 4 | 85 |
| 421315 | CQ/A-M22x1.5-45-18 | 421355 | CQ/T-M22x1.5-45-18 | 28 | 45   | 20 | 20             | 18             | 4 | 87 |
| 421311 | CQ/A-M22x1.5-45-20 | 421351 | CQ/T-M22x1.5-45-20 | 28 | 45   | 20 | 20             | 20             | 4 | 83 |
| 421317 | CQ/A-M22x1.5-45-24 | 421357 | CQ/T-M22x1.5-45-24 | 28 | 45   | 20 | 20             | 24             | 4 | 91 |
| 421319 | CQ/A-M22x1.5-45-28 | 421359 | CQ/T-M22x1.5-45-28 | 28 | 45   | 20 | 20             | 28             | 4 | 93 |
| 421321 | CQ/A-M22x1.5-45-30 | 421361 | CQ/T-M22x1.5-45-30 | 28 | 45   | 20 | 20             | 30             | 4 | 94 |
| 421323 | CQ/A-M22x1.5-45-32 | 421363 | CQ/T-M22x1.5-45-32 | 28 | 45   | 20 | 20             | 32             | 4 | 95 |



Latches