

- 1 
- 2 
- 3 
- 4 
- 5 
- 6 
- 7 
- 8 
- 9 
- 10 
- 11 
- 12** 
- 13 
- 14 
- 15 
- RH 
- 

MATERIAL

Rotor, stator, fold-away knob, closing lever and nut (M22x1.5) in glass-fibre reinforced polyamide based (PA) technopolymer certified self-extinguish UL-94 V0, black colour, matte finish.

PACKING RING

SBR rubber.

INTERNAL TOOTHED WASHER

AISI 304 stainless steel

SELF-TAPPING SCREW

AISI 304 stainless steel

ROTATION

90°.

IP PROTECTION

IP 65 protection class, according to IEC 529 (see page A-19).

TECHNICAL DATA

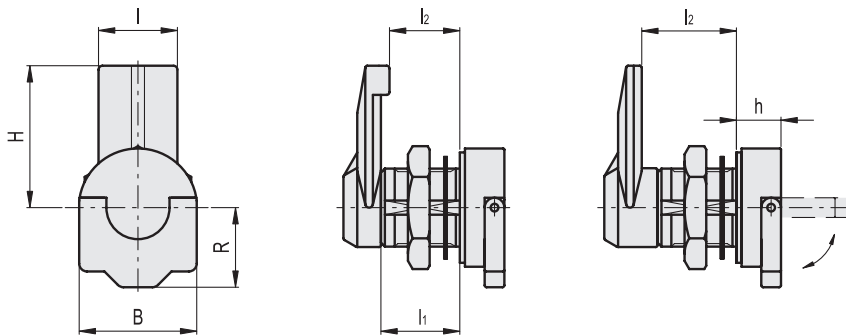
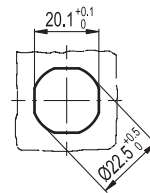
The "V0" certification in accordance with UL-94 V (Underwriters Laboratories) (see Technical data on page A-5) indicates that on a plastic test sample with specific shape and dimensions, in the vertical position, the flame is extinguished within 10 seconds, without generating incandescent drops.

SPECIAL EXECUTIONS ON REQUEST

Closing lever with I2 ledge in other dimensions.



Drilling template



Code	Description	H	B	R	l	li	l2	h	△
421243	CMT.32-18 AE-V0	32	30	20	20	20	18	11	27
421241	CMT.32-20 AE-V0	32	30	20	20	20	20	11	26
421245	CMT.32-24 AE-V0	32	30	20	20	20	24	11	28
421247	CMT.32-32 AE-V0	32	30	20	20	20	32	11	30