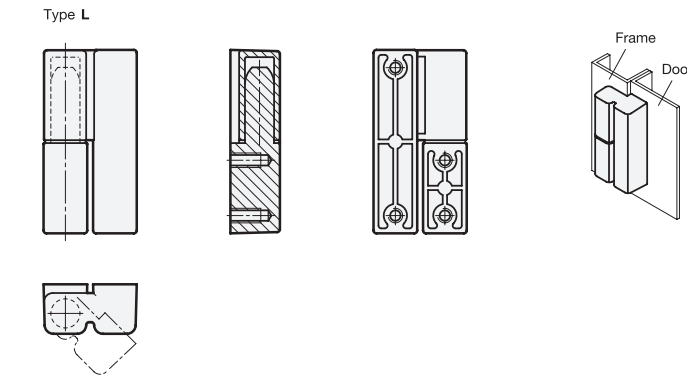


Inch
Inch sizes available

3 Type

- R** fixed bearing (pin) right
- L** fixed bearing (pin) left



1

2

b₁	l₁	b₂	d	l₂	l₃	l₄	l₅	m₁	m₂	m₃	t	Radial load rating in N	Axial load rating in N
32	63	15	M 5	17	31	6,1	10	19	50,8	17	10	700	2000

Specification

- Zinc die casting
- plastic coated
 - black, RAL 9005, textured finish ● **SW**
 - silver, RAL 9006, textured finish ● **SR**
- RoHS compliant

4

Information

Hinges GN 161.2 are a variant with highly attractive design. The fixing screws are invisible.

During the load tests, the hinges were gradually loaded and relieved at room temperature with incrementally increasing force. For the specified values, an insignificant permanent deformation remained after relieving the load which had no effect on the function and appearance. In most cases, the failure loads are multiples of the specified value.

The details relating to the load bearing capacity are non-binding recommended values and rule out any liability. They constitute no general warranty of quality and condition. The user must determine from case to case whether a product is suitable for the intended use. Environmental influences and aging may influence these values.

How to order

GN 161.2-32-63-R-SW

- 1** **b₁**
- 2** **l₁**
- 3** **Type**
- 4** **Colour**