

- 1
- 2
- 3
- 4
- 5
- 6
- 7
- 8
- 9
- 10
- 11
- 12
- 13
- 14
- 15
- RH

## MATERIAL

Die-cast zinc alloy.

## ROTATING PIN

AISI 303 stainless steel.

## STANDARD EXECUTIONS

Pass-through holes for countersunk head screws:

- **CMM-SH**: black painting, matte finish.
- **CMM-SH-CR**: chrome-plated finish.

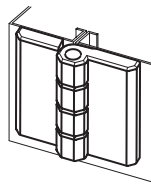
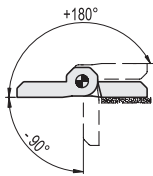
Stainless steel threaded studs:

- **CMM-p**: black painting, matte finish.
- **CMM-p-CR**: chrome-plated finish.

## ROTATION ANGLE (APPROXIMATE VALUE)

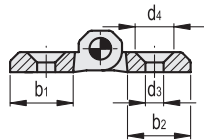
Max 270° (-90° and +180° being 0° the condition where the two interconnected surfaces are on the same plane).

Do not exceed the rotation angle limit so as not to prejudice the hinge mechanical performance.

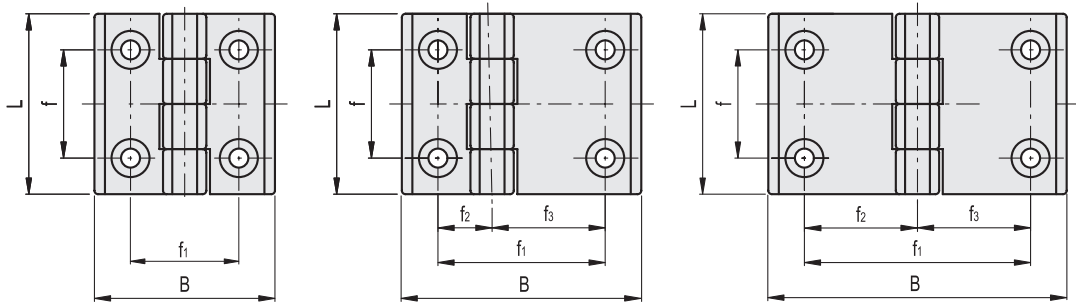
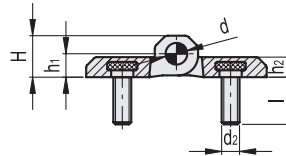


Resistance tests	AXIAL STRESS	RADIAL STRESS	90° ANGLED STRESS
Description	Maximum working load Ea [N]	Maximum working load Er [N]	Maximum working load E90 [N]
CMM.30-SH-4	500	1200	750
CMM.40-SH-5	1450	2100	2000
CMM.50-SH-6	2100	3500	2450
CMM.50-63-SH-6	1500	3000	1250
CMM.50-76-SH-6	1300	3000	1250
CMM.60-SH-8	3200	6000	4400
CMM.60-90-SH-8	1500	4500	1500
CMM.60-120-SH-8	1300	4500	1500
CMM.40-p-M5x12	900	1700	1850
CMM.50-p-M6x12	2050	3550	2000
CMM.50-63-p-M6X12	1500	3000	2000
CMM.50-76-p-M6X12	1200	3000	2000
CMM.60-p-M8x14	3050	4050	2550
CMM.60-90-p-M8X14	2000	4500	1500
CMM.60-120-p-M8X14	1500	4500	1500

**CMM-SH  
CMM-SH-CR**



**CMM-p  
CMM-p-CR**



**CMM-SH**

Code	Description	L	B	d3	d4	f	f1	f2	f3	H	h1	h2	b1	b2	d	⚖️
428411	CMM.30-SH-4	30	30	4.3	8.5	18	18	-	-	7.5	4.5	4	10.7	10.7	3	20
428511	CMM.40-SH-5	40	40	5.3	10.5	25	25	-	-	9	5.5	5	14	14	4	40
428611	CMM.50-SH-6	50	50	6.4	12.5	30	30	-	-	11.5	6.5	6	18.5	18.5	6	80
428612	CMM.50-63-SH-6	50	63	6.4	12.5	30	43	15	28	11.5	6.5	6	21	28	6	105
428613	CMM.50-76-SH-6	50	76	6.4	12.5	30	56	28	28	11.5	6.5	6	34	34	6	122
428711	CMM.60-SH-8	60	60	8.3	16.5	36	36	-	-	15	8.5	8	21.5	21.5	8	170
428712	CMM.60-90-SH-8	60	90	8.3	16.5	36	63	18	45	15	8.5	8	26	56	8	230
428713	CMM.60-120-SH-8	60	120	8.3	16.5	36	90	45	45	15	8.5	8	56	56	8	313
428414	CMM.30-SH-4-CR	30	30	4.3	8.5	18	18	-	-	7.5	4.5	4	10.7	10.7	3	20
428514	CMM.40-SH-5-CR	40	40	5.3	10.5	25	25	-	-	9	5.5	5	14	14	4	40
428614	CMM.50-SH-6-CR	50	50	6.4	12.5	30	30	-	-	11.5	6.5	6	18.5	18.5	6	80
428714	CMM.60-SH-8-CR	60	60	8.3	16.5	36	36	-	-	15	8.5	8	21.5	21.5	8	170

**CMM-p**

Code	Description	L	B	d2	l	f	f1	f2	f3	H	h1	h2	b1	b2	d	⚖️
428521	CMM.40-p-M5x12	40	40	M5	12	25	25	-	-	9	5.5	5	14	14	4	63
428621	CMM.50-p-M6x12	50	50	M6	12	30	30	-	-	11.5	6.5	6	18	18	6	100
428622	CMM.50-63-p-M6x12	50	63	M6	12	30	43	15	28	11.5	6.5	6	21	34	6	120
428623	CMM.50-76-p-M6x12	50	76	M6	12	30	56	28	28	11.5	6.5	6	34	34	6	189
428721	CMM.60-p-M8x14	60	60	M8	14	36	36	-	-	15	8.5	8	21	21	8	210
428722	CMM.60-90-p-M8x14	60	90	M8	14	36	63	18	45	15	8.5	8	26	56	8	275
428723	CMM.60-120-p-M8x14	60	120	M8	14	36	90	45	45	15	8.5	8	56	56	8	365
428524	CMM.40-p-M5x12-CR	40	40	M5	12	25	25	-	-	9	5.5	5	14	14	4	63
428624	CMM.50-p-M6x12-CR	50	50	M6	12	30	30	-	-	11.5	6.5	6	18	18	6	100
428724	CMM.60-p-M8x14-CR	60	60	M8	14	36	36	-	-	15	8.5	8	21	21	8	210



Hinges and connections