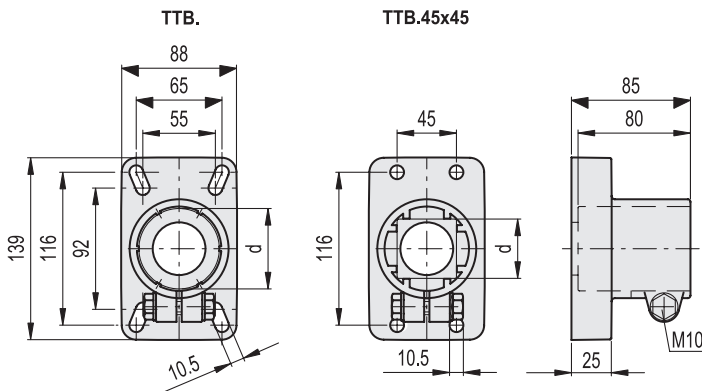


**MATERIAL**

Glass-fibre reinforced polyamide based (PA) technopolymer, black colour, matte finish.

**STANDARD EXECUTIONS**

- **TTB-A:** zinc-plated steel M10 screw, nut and washer.
- **TTB-SST:** AISI 304 stainless steel M10 screw, nut and washer.



**TTB-A**

Code	Description	d Tube (mm)	d Tube (BSP/ GAS)	d Tube (inch)	Δ
419768	TTB.42-A	42.4	1"1/4	-	345
419766	TTB.48-A	48.3	1"1/2	-	340
419772	TTB.50-A	50.8	-	2"	337
419764	TTB.60-A	60.3	2"	-	335
419770	TTB.45x45-A	45	-	-	340

**TTB-SST**

Code	Description
419769	TTB.42-SST
419767	TTB.48-SST
419773	TTB.50-SST
419765	TTB.60-SST
419771	TTB.45x45-SST



Leveling elements and supports