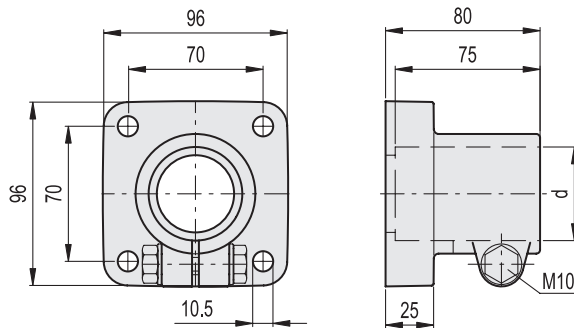


- 1
- 2
- 3
- 4
- 5
- 6
- 7
- 8
- 9
- 10
- 11
- 12
- 13
- 14
- 15
- RH

MATERIAL
Glass-fibre reinforced polyamide based (PA) technopolymer, black colour, matte finish.

STANDARD EXECUTIONS
- **TTA-A**: zinc-plated steel M10 screw, nut and washer.
- **TTA-SST**: AISI 304 stainless steel M10 screw, nut and washer.



Levelling elements and supports

TTA-A

Code	Description	d Tube (mm)	d Tube (BSP/GAS)	⚖
419650	TTA.48-A	48.3	1"1/2	260

TTA-SST

Code	Description
419651	TTA.48-SST

INOX STAINLESS STEEL

940