

TSLB. | Side mounting top brackets

Technopolymer

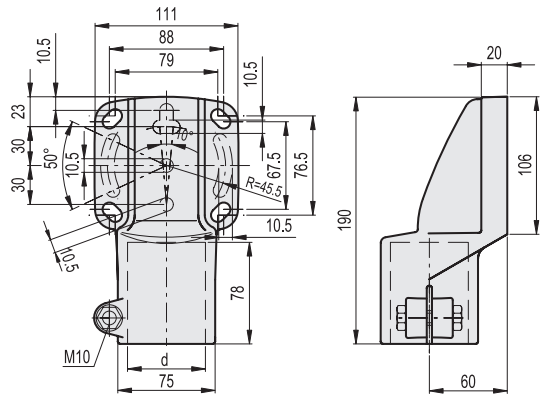


MATERIAL

Glass-fibre reinforced polyamide based (PA) technopolymer, black colour, matte finish.

STANDARD EXECUTIONS

- **TSLB-A**: zinc-plated steel M10 screw, nut and washer.
- **TSLB-SST**: AISI 304 stainless steel M10 screw, nut and washer.



TSLB-A

Code	Description	d Tube (mm)	d Tube (BSP/GAS)	⚖️
419794	TSLB-42-A	42.4	1"1/4	435
419792	TSLB-48-A	48.3	1"1/2	430
419790	TSLB-60-A	60.3	2"	425
419796	TSLB-45x45-A	45	-	430

TSLB-SST



419795	TSLB-42-SST	42.4	1"1/4	435
419793	TSLB-48-SST	48.3	1"1/2	430
419791	TSLB-60-SST	60.3	2"	425
419797	TSLB-45x45-SST	45	-	430



Leveling elements and supports