

TSLA. | Side mounting top brackets

Technopolymer

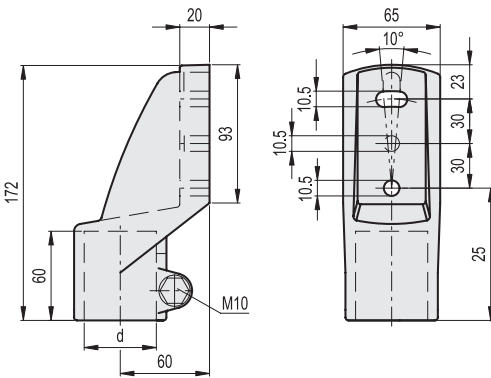


MATERIAL

Glass-fibre reinforced polyamide based (PA) technopolymer, black colour, matte finish.

STANDARD EXECUTIONS

- **TSLA-A**: zinc-plated steel M10 screw, nut and washer.
- **TSLA-SST**: AISI 304 stainless steel M10 screw, nut and washer.



TSLA-A

Code	Description	d Tube (mm)	d Tube (BSP/GAS)	⚖️
419648	TSLA-48-A	48.3	1"1/2	320

TSLA-SST

419649	TSLA-48-SST	48.3	1"1/2	320
--------	-------------	------	-------	-----



Leveling elements and supports