

BRACKET

Glass-fibre reinforced polyamide based (PA) technopolymer, black colour, matte finish.

GUIDE RAIL CYLINDER

Glass-fibre reinforced technopolymer. Black colour, matte finish.

STANDARD EXECUTION

Nickel-plated AISI 431 stainless steel eye screw, AISI 304 stainless steel nut and washer.

- **SPR-A:** with lower lip.
- **SPR-B:** without lower lip.

FEATURES AND APPLICATIONS

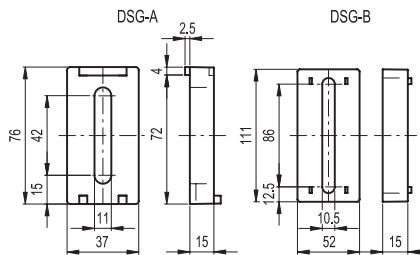
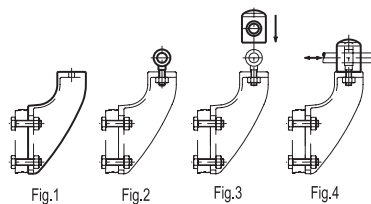
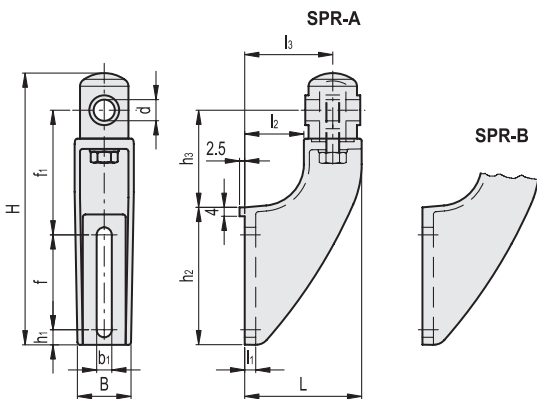
Particularly suitable when linear and angular positioning of the guide rail is required.

ACCESSORIES ON REQUEST

Spacer for guide rail bracket DSG-A (code 419676) or DSG-B (code 419677) in glass-fibre reinforced technopolymer, black colour, matte finish.

ASSEMBLY INSTRUCTIONS

- Fit the guide rail bracket (Fig. 1).
- Insert the eye screw in the guide rail support hole and screw the relevant nut and washer (Fig. 2).
- Assemble the guide rail cylinder on the eye (Fig. 3).
- Insert the guide pin in the guide rail cylinder hole. Set its linear and angular position and then fasten the nut (Fig. 4).



SPR-A



Code	Description	H	L	B	f	fi	b1	h1	h2	h3	l1	l2	l3	Guide assembly hole	⚖
419760	SPR.12-A	158	70	37	42	78	11	15	76	60	8	30	50	12	176
419761	SPR.14-A	158	70	37	42	78	11	15	76	60	8	30	50	14	175
419762	SPR.16-A	158	70	37	42	78	11	15	76	60	8	30	50	16	174

SPR-B



419664	SPR.12-B	193	85	41	69	90	11	11	100	70	8	43	64	12	196
419665	SPR.14-B	193	85	41	69	90	11	11	100	70	8	43	64	14	195
419666	SPR.16-B	193	85	41	69	90	11	11	100	70	8	43	64	16	194