

MATERIAL

Glass-fibre reinforced polyamide based (PA) technopolymer, black colour, matte finish.

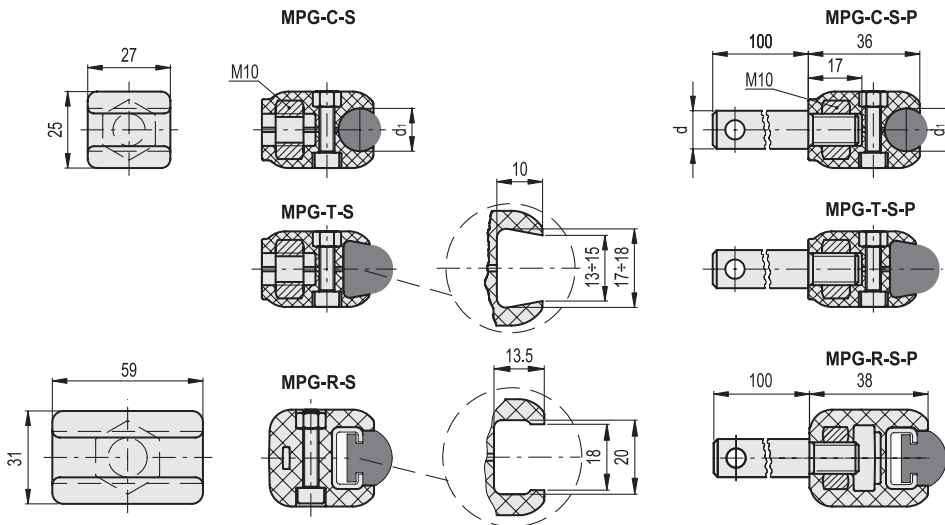
STANDARD EXECUTIONS

AISI 304 stainless steel screws and nuts.

- **MPG-C-S**: housings for round guides, without pin.
- **MPG-C-S-P**: housings for round guides with AISI 304 stainless steel pin.
- **MPG-T-S**: housings for standard trapezoidal guides, without pin.
- **MPG-T-S-P**: housings for standard trapezoidal guides with AISI 304 stainless steel pin.
- **MPG-R-S**: housings for rectangular guides, without pin.
- **MPG-R-S-P**: housings for rectangular guides with AISI 304 stainless steel pin.

ASSEMBLY INSTRUCTIONS

- Insert the guide into the housing of the clamp.
- Fasten the clamp by means of the screw.
- For version P screw the pin.



MPG-C-S

MPG-T-S

MPG-R-S



Code	Description	d1	⚖️
419810	MPG-C-S-8	8	37
419811	MPG-C-S-10	10	36
419812	MPG-C-S-12	12	35
419813	MPG-C-S-14	14	34
419817	MPG-T-S	-	34
419827	MPG-R-S	-	47

MPG-C-S-P

MPG-T-S-P

MPG-R-S-P



Code	Description	d	d1	⚖️
419798	MPG-C-S-P12-8	12	8	128
419799	MPG-C-S-P12-10	12	10	127
419800	MPG-C-S-P12-12	12	12	126
419801	MPG-C-S-P12-14	12	14	125
419802	MPG-C-S-P14-8	14	8	162
419803	MPG-C-S-P14-10	14	10	161
419804	MPG-C-S-P14-12	14	12	160
419805	MPG-C-S-P14-14	14	14	159
419806	MPG-C-S-P16-8	16	8	198
419807	MPG-C-S-P16-10	16	10	197
419808	MPG-C-S-P16-12	16	12	196
419809	MPG-C-S-P16-14	16	14	195
419814	MPG-T-S-P12	12	-	125
419815	MPG-T-S-P14	14	-	158
419816	MPG-T-S-P16	16	-	195
419824	MPG-R-S-P12	12	-	201
419825	MPG-R-S-P14	14	-	235
419826	MPG-R-S-P16	16	-	262



Levelling elements and supports