

- 1
- 2
- 3
- 4
- 5
- 6
- 7
- 8
- 9
- 10
- 11
- 12
- 13
- 14
- 15
- RH
- 

**MATERIAL**

Glass-fibre reinforced polyamide based (PA) technopolymer, black colour, matte finish.

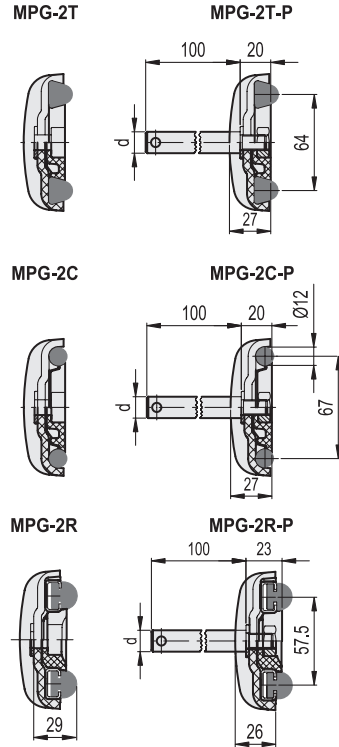
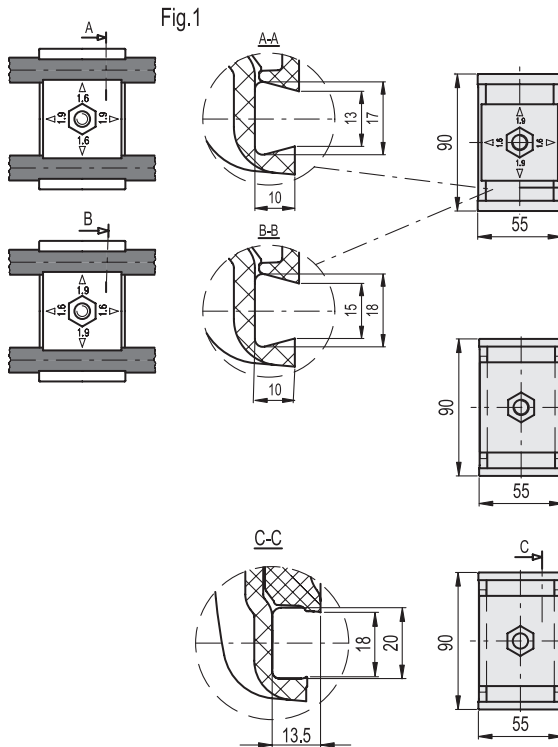
**STANDARD EXECUTIONS**

AISI 304 stainless steel washers.

- **MPG-2C:** housings for round guides, without pin.
- **MPG-2C-P:** housings for round guides, with AISI 304 stainless steel pin and clamping nut.
- **MPG-2T:** housings for standard trapezoidal guides, without pin.
- **MPG-2T-P:** housings for standard trapezoidal guides, with AISI 304 stainless steel pin and clamping nut.
- **MPG-2R:** housings for rectangular guides, without pin.
- **MPG-2R-P:** housings for rectangular guides, with AISI 304 stainless steel pin and clamping nut.

**ASSEMBLY INSTRUCTIONS**

- Insert the guides into their housings in the rear part of the clamp.
- Couple the front part of the clamp to the rear part. Only for the trapezoidal guide the rear part must be coupled according to the trapezoidal guide dimensions (Fig.1).
- Insert the nut into the housing in the front part of the clamp.
- Screw the nut to clamp.



**MPG-2C  
MPG-2C-P**



Code	Description	d	Δ
419609	MPG-2C	-	68
419681	MPG-2C-P12	12	205
419682	MPG-2C-P14	14	204
419683	MPG-2C-P16	16	203

**MPG-2T  
MPG-2T-P**



Code	Description	d	Δ
419611	MPG-2T	-	67
419684	MPG-2T-P12	12	204
419685	MPG-2T-P14	14	203
419686	MPG-2T-P16	16	202

**MPG-2R  
MPG-2R-P**



Code	Description	d	Δ
419610	MPG-2R	-	72
419694	MPG-2R-P12	12	212
419695	MPG-2R-P14	14	210
419696	MPG-2R-P16	16	208