

BAS3 Tripod supports

Technopolymer



MATERIAL

Glass-fibre reinforced polyamide based (PA) technopolymer, black colour, matte finish.

STANDARD EXECUTIONS

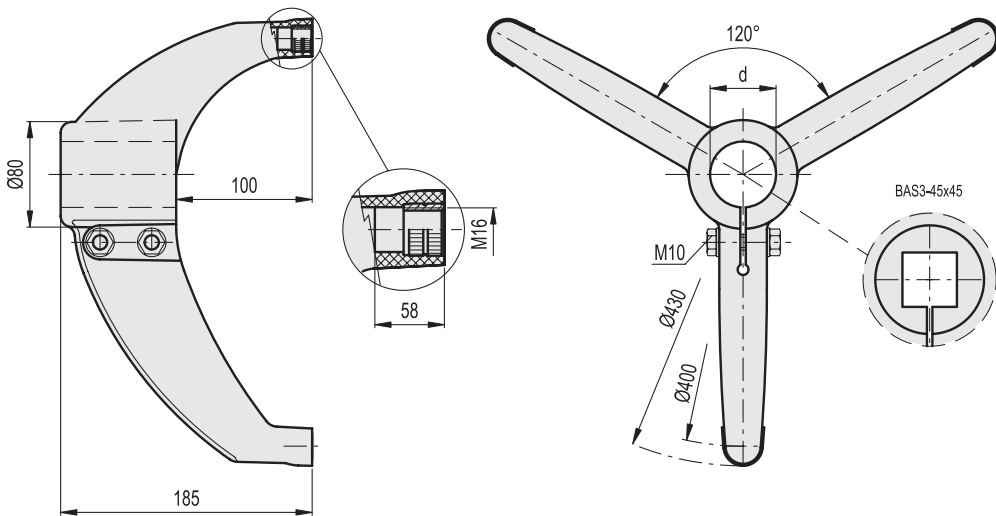
- **BAS3-A:** zinc-plated steel M10 screws, nuts and washers.
- **BAS3-SST:** AISI 304 stainless steel M10 screws, nuts and washers.

ASSEMBLY ON LEVELLING ELEMENTS

The three bearings of the base are supplied with brass bosses, threaded pass-through hole for the assembly of the stem of the levelling element series LS.A (see page 798), LV.A (see page 804), LV.F (see page 818).

FEATURES AND APPLICATIONS

The absence of cavities and the slightly round shapes offer modern and elegant aesthetics and guarantee the best cleaning.



BAS3-A

Code	Description	d Tube (mm)	d Tube (BSP/GAS)	d Tube (inch)	⚖️
419592	BAS3-42-A	42.4	1"1/4	-	800
419590	BAS3-48-A	48.3	1"1/2	-	790
419594	BAS3-50-A	50.8	-	2"	780
419588	BAS3-60-A	60.3	2"	-	770
419752	BAS3-45x45-A	45	-	-	795

BAS3-SST

Code	Description
419593	BAS3-42-SST
419591	BAS3-48-SST
419595	BAS3-50-SST
419589	BAS3-60-SST
419753	BAS3-45x45-SST



Levelling elements and supports