

**MATERIAL**

Glass-fibre reinforced polyamide based (PA) technopolymer, RAL 7042 grey colour, matte finish.

**FEATURES AND APPLICATIONS**

Kit for installation of PC support clamp on round tubes (thickness max. = 2 mm). The kit includes a technopolymer adapter, a M6 zinc-plated steel threaded insert to install with a normal riveter on the tube and a M6 cylindrical head screw.

The adapters give the best aesthetic result for panels of thickness between 4 and 6 mm and tubes with diameters as follows:

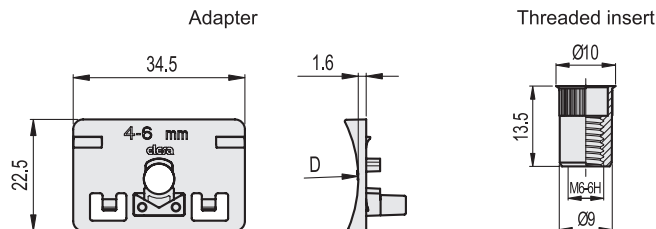
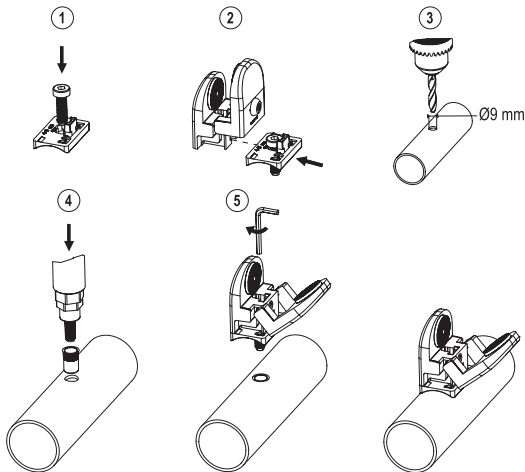
- 30÷34 mm
- 40÷43 mm
- 48÷52 mm.

**ASSEMBLY INSTRUCTIONS**

1. Insert the M6 shorted cylindrical head screw with DIN 7984 hexagon socket into the plastic adapter.
2. Insert the adapter into the slot of PC until the catch bracket clicks into position.
3. Drill a hole in the tube of 9 mm.
4. Fit the threaded insert on the tube with a riveter.
5. Install the support clamp on the tube by tightening the screw into the threaded insert.



ELESA Original design



Code	Description	D	For tubes Ø	⚖
49291	APC.30-34	34	30 + 34	5
49293	APC.40-43	43	40 + 43	5
49295	APC.48-52	52	48 + 52	5



Leveling elements and supports