

- 1 
- 2 
- 3 
- 4 
- 5 
- 6 
- 7 
- 8 
- 9 
- 10 
- 11 
- 12 
- 13 
- 14 
- 15 

BASE

Glass-fibre reinforced polyamide based (PA) technopolymer, black colour, matte finish.

ARTICULATED STEM

Threaded zinc-plated steel with regulation hexagon.

STANDARD EXECUTIONS

- **LV.F**: without no-slip disk.
- **LV.F-AS**: with NBR rubber no-slip disk, hardness 70 Shore A, supplied assembled to the base.

GROUND MOUNTING

By means of two holes at 180°, supplied covered by a diaphragm (which can be easily removed by a metal tool), to avoid all unhealthy deposits of dirt and dust when the ground mounting is not required (see Fig. 1).

FEATURES

The special knurling under the lower lip of the base provides excellent stability and grip when using the levelling element without no-slip disk even on surfaces that are not perfectly flat.

The particular assembling system of the no-slip disk to the base assures a perfect anchoring, preventing separation even in case of impact during transport or of adhesion (sticking) to the floor (see No-slip disks on page 835).

ORDER INFORMATION

The levelling elements are supplied unassembled to make carriage and storage easier. The components (base and stem) are supplied in separate packing; less volume taken and better protection from scratches and dirt.

To order bases and stems separately, see:

- table of possible combinations Bases/Stems (see page 839)
- the codes of the Bases (see page 836)
- the codes of the Stems (see page 840).

ACCESSORIES ON REQUEST

Zinc-plated steel nut (see Nuts NT. on page 835).



ELESA Original design

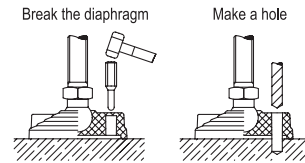
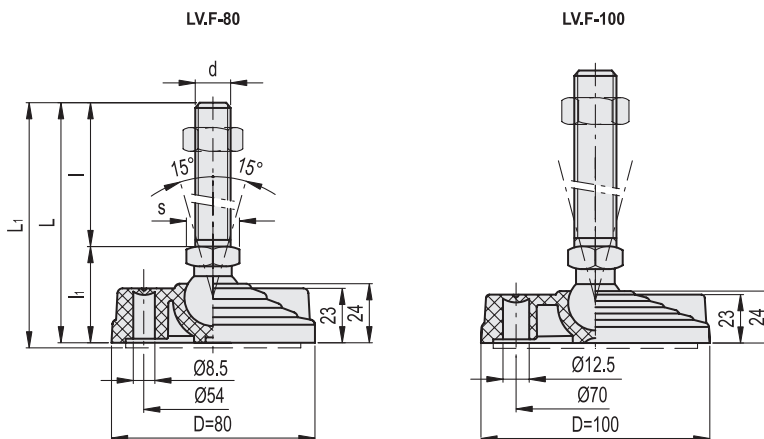


Fig. 1

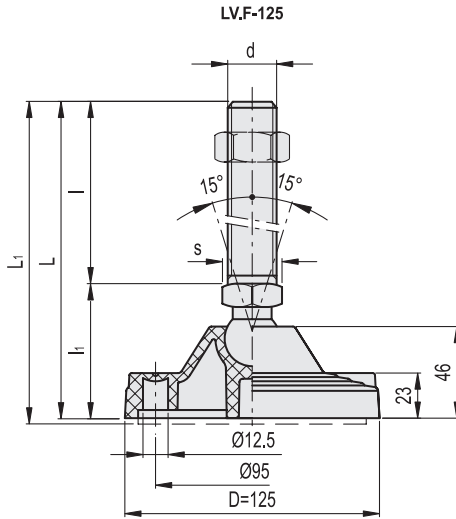
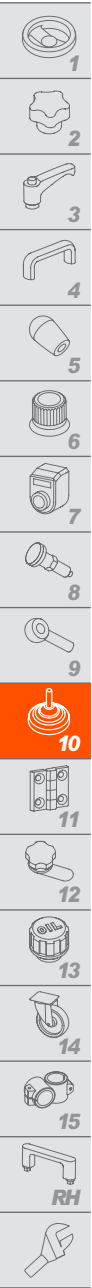


LV.F		LV.F-AS												Max. limit stati load* [N]		⚖️ ⚖️ #	
Code	Description	Code	Description	D	d	L	L#	l	li	s	Articulation ∅						
311121	LV.F-80-14-M8x43	314121	LV.F-80-14-AS-M8x43	80	M8	76	79	43	33	14	14	16000		85	111		
311125	LV.F-80-14-M8x68	314125	LV.F-80-14-AS-M8x68	80	M8	101	104	68	33	14	14	16000		97	123		
311221	LV.F-80-14-M10x43	314221	LV.F-80-14-AS-M10x43	80	M10	76	79	43	33	14	14	16000		94	120		
311225	LV.F-80-14-M10x68	314225	LV.F-80-14-AS-M10x68	80	M10	101	104	68	33	14	14	16000		106	132		
311231	LV.F-80-14-M10x98	314231	LV.F-80-14-AS-M10x98	80	M10	131	134	98	33	14	14	16000		120	146		
311321	LV.F-80-14-M12x43	314321	LV.F-80-14-AS-M12x43	80	M12	76	79	43	33	14	14	16000		104	130		
311325	LV.F-80-14-M12x68	314325	LV.F-80-14-AS-M12x68	80	M12	101	104	68	33	14	14	16000		121	147		
311331	LV.F-80-14-M12x98	314331	LV.F-80-14-AS-M12x98	80	M12	131	134	98	33	14	14	16000		142	168		
311421	LV.F-80-14-M14X68	314421	LV.F-80-14-AS-M14X68	80	M14	101	104	68	33	14	14	16000		143	169		
311431	LV.F-80-14-M14X98	314431	LV.F-80-14-AS-M14X98	80	M14	131	134	98	33	14	14	16000		164	190		
311441	LV.F-80-14-M14X148	314441	LV.F-80-14-AS-M14X148	80	M14	181	184	148	33	14	14	16000		247	273		
311521	LV.F-80-14-M16x68	314521	LV.F-80-14-AS-M16x68	80	M16	101	104	68	33	16	14	16000		165	191		
311525	LV.F-80-14-M16x108	314525	LV.F-80-14-AS-M16x108	80	M16	141	144	108	33	16	14	16000		217	243		
311541	LV.F-80-14-M16x148	314541	LV.F-80-14-AS-M16x148	80	M16	181	184	148	33	16	14	16000		269	295		
311561	LV.F-80-14-M16x168	314561	LV.F-80-14-AS-M16x168	80	M16	201	204	168	33	16	14	16000		295	321		
311621	LV.F-80-24-M16x58	314621	LV.F-80-24-AS-M16x58	80	M16	101	104	58	43	24	24	18000		227	253		
311625	LV.F-80-24-M16x98	314625	LV.F-80-24-AS-M16x98	80	M16	141	144	98	43	24	24	18000		278	304		
311641	LV.F-80-24-M16x138	314641	LV.F-80-24-AS-M16x138	80	M16	181	184	138	43	24	24	18000		328	354		
311661	LV.F-80-24-M16x158	314661	LV.F-80-24-AS-M16x158	80	M16	201	204	158	43	24	24	18000		355	381		
311725	LV.F-80-24-M20x98	314725	LV.F-80-24-AS-M20x98	80	M20	141	144	98	43	24	24	18000		348	374		
311741	LV.F-80-24-M20x138	314741	LV.F-80-24-AS-M20x138	80	M20	181	184	138	43	24	24	18000		427	453		
311761	LV.F-80-24-M20x158	314761	LV.F-80-24-AS-M20x158	80	M20	201	204	158	43	24	24	18000		466	492		
311781	LV.F-80-24-M20x198	314781	LV.F-80-24-AS-M20x198	80	M20	241	244	198	43	24	24	18000		549	575		
311825	LV.F-80-24-M24x98	314825	LV.F-80-24-AS-M24x98	80	M24	141	144	98	43	24	24	18000		446	472		
311861	LV.F-80-24-M24x158	314861	LV.F-80-24-AS-M24x158	80	M24	201	204	158	43	24	24	18000		618	644		
311881	LV.F-80-24-M24x198	314881	LV.F-80-24-AS-M24x198	80	M24	241	244	198	43	24	24	18000		736	762		
312451	LV.F-100-14-M8x43	315451	LV.F-100-14-AS-M8x43	100	M8	76	79	43	33	14	14	18000		93	148		
312453	LV.F-100-14-M8x68	315453	LV.F-100-14-AS-M8x68	100	M8	101	104	68	33	14	14	18000		105	160		
312461	LV.F-100-14-M10x43	315461	LV.F-100-14-AS-M10x43	100	M10	76	79	43	33	14	14	18000		102	157		
312463	LV.F-100-14-M10x68	315463	LV.F-100-14-AS-M10x68	100	M10	101	104	68	33	14	14	18000		114	169		
312465	LV.F-100-14-M10x98	315465	LV.F-100-14-AS-M10x98	100	M10	131	134	98	33	14	14	18000		128	183		
312471	LV.F-100-14-M12x43	315471	LV.F-100-14-AS-M12x43	100	M12	76	79	43	33	14	14	18000		112	167		
312473	LV.F-100-14-M12x68	315473	LV.F-100-14-AS-M12x68	100	M12	101	104	68	33	14	14	18000		129	184		
312475	LV.F-100-14-M12x98	315475	LV.F-100-14-AS-M12x98	100	M12	131	134	98	33	14	14	18000		150	205		
312477	LV.F-100-14-M14X68	315477	LV.F-100-14-AS-M14X68	100	M14	101	104	68	33	14	14	18000		151	206		
312479	LV.F-100-14-M14X98	315479	LV.F-100-14-AS-M14X98	100	M14	131	134	98	33	14	14	18000		172	227		
312480	LV.F-100-14-M14X148	315480	LV.F-100-14-AS-M14X148	100	M14	181	184	148	33	14	14	18000		255	310		
312481	LV.F-100-14-M16x68	315481	LV.F-100-14-AS-M16x68	100	M16	101	104	68	33	16	14	18000		173	228		
312483	LV.F-100-14-M16x108	315483	LV.F-100-14-AS-M16x108	100	M16	141	144	108	33	16	14	18000		225	280		
312485	LV.F-100-14-M16x148	315485	LV.F-100-14-AS-M16x148	100	M16	181	184	148	33	16	14	18000		277	332		
312487	LV.F-100-14-M16x168	315487	LV.F-100-14-AS-M16x168	100	M16	201	204	168	33	16	14	18000		303	358		
312521	LV.F-100-24-M16x58	315521	LV.F-100-24-AS-M16x58	100	M16	101	104	58	43	24	24	25000		257	311		
312525	LV.F-100-24-M16x98	315525	LV.F-100-24-AS-M16x98	100	M16	141	144	98	43	24	24	25000		308	362		
312541	LV.F-100-24-M16x138	315541	LV.F-100-24-AS-M16x138	100	M16	181	184	138	43	24	24	25000		358	412		
312561	LV.F-100-24-M16x158	315561	LV.F-100-24-AS-M16x158	100	M16	201	204	158	43	24	24	25000		385	439		
312625	LV.F-100-24-M20x98	315625	LV.F-100-24-AS-M20x98	100	M20	141	144	98	43	24	24	25000		378	432		
312641	LV.F-100-24-M20x138	315641	LV.F-100-24-AS-M20x138	100	M20	181	184	138	43	24	24	25000		457	511		
312661	LV.F-100-24-M20x158	315661	LV.F-100-24-AS-M20x158	100	M20	201	204	158	43	24	24	25000		496	550		
312681	LV.F-100-24-M20x198	315681	LV.F-100-24-AS-M20x198	100	M20	241	244	198	43	24	24	25000		579	633		
312725	LV.F-100-24-M24x98	315725	LV.F-100-24-AS-M24x98	100	M24	141	144	98	43	24	24	25000		476	530		
312761	LV.F-100-24-M24x158	315761	LV.F-100-24-AS-M24x158	100	M24	201	204	158	43	24	24	25000		648	702		
312781	LV.F-100-24-M24x198	315781	LV.F-100-24-AS-M24x198	100	M24	241	244	198	43	24	24	25000		766	820		

* The max static load is the value above which the load applied to the element may cause some plastic material breakage, in particular conditions of use. Obviously, a factor that takes into consideration the importance and the safety level of the specific application must be applied to this value.

Data with no-slip disk mounted.





LV.F

LV.F-AS

Code	Description	Code	Description	D	d	L	L1#	I	I1	s	Articulation ∅	Max. limit stati load* [N]	⚖️ #	⚖️ #
313521	LV.F-125-24-M16x58	316221	LV.F-125-24-AS-M16x58	125	M16	125	128	58	67	24	24	28000	396	521
313525	LV.F-125-24-M16x98	316225	LV.F-125-24-AS-M16x98	125	M16	165	168	98	67	24	24	28000	447	572
313541	LV.F-125-24-M16x138	316241	LV.F-125-24-AS-M16x138	125	M16	205	208	138	67	24	24	28000	497	622
313561	LV.F-125-24-M16x158	316261	LV.F-125-24-AS-M16x158	125	M16	225	228	158	67	24	24	28000	524	649
313625	LV.F-125-24-M20x98	316325	LV.F-125-24-AS-M20x98	125	M20	165	168	98	67	24	24	28000	517	642
313641	LV.F-125-24-M20x138	316341	LV.F-125-24-AS-M20x138	125	M20	205	208	138	67	24	24	28000	596	721
313661	LV.F-125-24-M20x158	316361	LV.F-125-24-AS-M20x158	125	M20	225	228	158	67	24	24	28000	635	760
313681	LV.F-125-24-M20x198	316381	LV.F-125-24-AS-M20x198	125	M20	265	268	198	67	24	24	28000	718	843
313725	LV.F-125-24-M24x98	316425	LV.F-125-24-AS-M24x98	125	M24	165	168	98	67	24	24	28000	615	740
313761	LV.F-125-24-M24x158	316461	LV.F-125-24-AS-M24x158	125	M24	225	228	158	67	24	24	28000	787	912
313781	LV.F-125-24-M24x198	316481	LV.F-125-24-AS-M24x198	125	M24	265	268	198	67	24	24	28000	905	1030

* The max static load is the value above which the load applied to the element may cause some plastic material breakage, in particular conditions of use. Obviously, a factor that takes into consideration the importance and the safety level of the specific application must be applied to this value.

Data with no-slip disk mounted.