



**BASE**

Glass-fibre reinforced polyamide based (PA) special conductive technopolymer, black colour, matte finish.

Surface resistivity =  $10^3 \Omega$  (ASTM D257 measuring method).

Volume resistivity =  $10^3 \Omega\text{cm}$  (ASTM D257 measuring method).

**ARTICULATED STEM**

Threaded AISI 304 stainless steel with regulation hexagon.

**STANDARD EXECUTIONS**

- **LVA-SST-ESC-C**: without no-slip disk.
- **LVA-AS-SST-ESD-C**: with NBR conductive rubber, hardness 70 Shore A, supplied assembled.

Surface resistivity =  $10^3 \Omega$  (ASTM D257 measuring method).

Volume resistivity =  $10^3 \Omega\text{cm}$  (ASTM D257 measuring method).

**FEATURES AND APPLICATIONS**

The special conductive technopolymer (ESD-C Electrostatic Discharge Conductive) prevents the accumulation of electrostatic charge.

The bases are suitable for "ESD PROTECTED AREA" (EPA) where components, which are susceptible to electrostatic discharges, are handled. The (ESD-C) indelibly printed mark on the surface of the levelling elements bases identifies the particular conductive features of the material according to EN 100015/1 and IEC 61340-5-1.

The particular assembling system of the no-slip disk to the base assures a perfect anchoring, preventing separation even in case of impact during transport or of adhesion (sticking) to the floor (see No-slip disks on page 835).

**ORDER INFORMATION**

The levelling elements are supplied unassembled to make carriage and storage easier. The components (base and stem) are supplied in separate packing: less volume taken and better protection from scratches and dirt.

To order bases and stems separately, see:

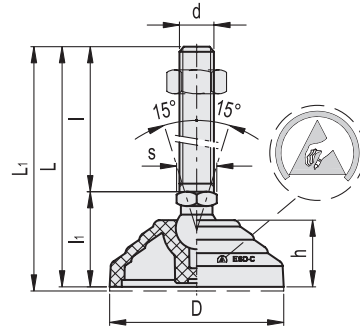
- table of possible combinations Bases/Stems (see page 839)
- the codes of the Bases (see page 838)
- the codes of the Stems (see page 840).

**ACCESSORIES ON REQUEST**

AISI 304 stainless steel nut (see Nuts NT. on page 835).



ELESA Original design



**LVA-SST-ESD-C**

**LVA-AS-SST-ESD-C**



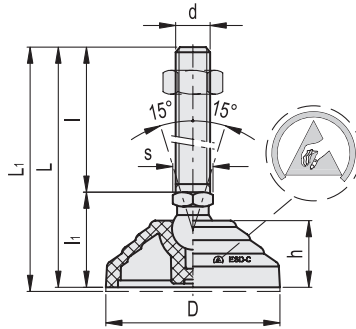
| Code       | Description                 | Code       | Description                    | D  | d   | L   | L1# | l   | l1 | h  | s  | Articulation $\emptyset$ | Max. limit stati load* [N] | #   |     |
|------------|-----------------------------|------------|--------------------------------|----|-----|-----|-----|-----|----|----|----|--------------------------|----------------------------|-----|-----|
| 323121-ESD | LVA-60-14-SST-M8x43-ESD-C   | 327121-ESD | LVA-60-14-AS-SST-M8x43-ESD-C   | 60 | M8  | 76  | 79  | 43  | 33 | 24 | 14 | 14                       | 14000                      | 63  | 82  |
| 323125-ESD | LVA-60-14-SST-M8x68-ESD-C   | 327125-ESD | LVA-60-14-AS-SST-M8x68-ESD-C   | 60 | M8  | 101 | 104 | 68  | 33 | 24 | 14 | 14                       | 14000                      | 75  | 94  |
| 323221-ESD | LVA-60-14-SST-M10x43-ESD-C  | 327221-ESD | LVA-60-14-AS-SST-M10x43-ESD-C  | 60 | M10 | 76  | 79  | 43  | 33 | 24 | 14 | 14                       | 14000                      | 72  | 91  |
| 323225-ESD | LVA-60-14-SST-M10x68-ESD-C  | 327225-ESD | LVA-60-14-AS-SST-M10x68-ESD-C  | 60 | M10 | 101 | 104 | 68  | 33 | 24 | 14 | 14                       | 14000                      | 85  | 104 |
| 323231-ESD | LVA-60-14-SST-M10x98-ESD-C  | 327231-ESD | LVA-60-14-AS-SST-M10x98-ESD-C  | 60 | M10 | 131 | 134 | 98  | 33 | 24 | 14 | 14                       | 14000                      | 99  | 118 |
| 323321-ESD | LVA-60-14-SST-M12x43-ESD-C  | 327321-ESD | LVA-60-14-AS-SST-M12x43-ESD-C  | 60 | M12 | 76  | 79  | 43  | 33 | 24 | 14 | 14                       | 14000                      | 82  | 101 |
| 323325-ESD | LVA-60-14-SST-M12x68-ESD-C  | 327325-ESD | LVA-60-14-AS-SST-M12x68-ESD-C  | 60 | M12 | 101 | 104 | 68  | 33 | 24 | 14 | 14                       | 14000                      | 100 | 119 |
| 323331-ESD | LVA-60-14-SST-M12x98-ESD-C  | 327331-ESD | LVA-60-14-AS-SST-M12x98-ESD-C  | 60 | M12 | 131 | 134 | 98  | 33 | 24 | 14 | 14                       | 14000                      | 122 | 141 |
| 323421-ESD | LVA-60-14-SST-M14x68-ESD-C  | 327421-ESD | LVA-60-14-AS-SST-M14x68-ESD-C  | 60 | M14 | 101 | 104 | 68  | 33 | 24 | 14 | 14                       | 14000                      | 123 | 142 |
| 323431-ESD | LVA-60-14-SST-M14x98-ESD-C  | 327431-ESD | LVA-60-14-AS-SST-M14x98-ESD-C  | 60 | M14 | 131 | 134 | 98  | 33 | 24 | 14 | 14                       | 14000                      | 144 | 163 |
| 323441-ESD | LVA-60-14-SST-M14x148-ESD-C | 327441-ESD | LVA-60-14-AS-SST-M14x148-ESD-C | 60 | M14 | 181 | 184 | 148 | 33 | 24 | 14 | 14                       | 14000                      | 227 | 246 |
| 323521-ESD | LVA-60-14-SST-M16x68-ESD-C  | 327521-ESD | LVA-60-14-AS-SST-M16x68-ESD-C  | 60 | M16 | 101 | 104 | 68  | 33 | 24 | 16 | 14                       | 14000                      | 145 | 164 |
| 323525-ESD | LVA-60-14-SST-M16x108-ESD-C | 327525-ESD | LVA-60-14-AS-SST-M16x108-ESD-C | 60 | M16 | 141 | 144 | 108 | 33 | 24 | 16 | 14                       | 14000                      | 199 | 218 |
| 323541-ESD | LVA-60-14-SST-M16x148-ESD-C | 327541-ESD | LVA-60-14-AS-SST-M16x148-ESD-C | 60 | M16 | 181 | 184 | 148 | 33 | 24 | 16 | 14                       | 14000                      | 252 | 271 |
| 323561-ESD | LVA-60-14-SST-M16x168-ESD-C | 327561-ESD | LVA-60-14-AS-SST-M16x168-ESD-C | 60 | M16 | 201 | 204 | 168 | 33 | 24 | 16 | 14                       | 14000                      | 279 | 298 |

\* The max static load is the value above which the load applied to the element may cause some plastic material breakage, in particular conditions of use. Obviously, a factor that takes into consideration the importance and the safety level of the specific application must be applied to this value.

# Data with no-slip disk mounted.



Levelling elements and supports



LVA-SST-ESD-C

LVA-AS-SST-ESD-C

| Code       | Description                 | Code       | Description                    | D  | d   | L   | L1# | l   | l1 | h  | s  | Articulation<br>∅ | Max. limit<br>stati load*<br>[N] | ⚖️  | ⚖️ # |
|------------|-----------------------------|------------|--------------------------------|----|-----|-----|-----|-----|----|----|----|-------------------|----------------------------------|-----|------|
| 323621-ESD | LVA-60-24-SST-M16x58-ESD-C  | 327621-ESD | LVA-60-24-AS-SST-M16x58-ESD-C  | 60 | M16 | 101 | 104 | 58  | 43 | 24 | 24 | 24                | 18000                            | 208 | 227  |
| 323625-ESD | LVA-60-24-SST-M16x98-ESD-C  | 327625-ESD | LVA-60-24-AS-SST-M16x98-ESD-C  | 60 | M16 | 141 | 144 | 98  | 43 | 24 | 24 | 24                | 18000                            | 260 | 279  |
| 323641-ESD | LVA-60-24-SST-M16x138-ESD-C | 327641-ESD | LVA-60-24-AS-SST-M16x138-ESD-C | 60 | M16 | 181 | 184 | 138 | 43 | 24 | 24 | 24                | 18000                            | 311 | 330  |
| 323661-ESD | LVA-60-24-SST-M16x158-ESD-C | 327661-ESD | LVA-60-24-AS-SST-M16x158-ESD-C | 60 | M16 | 201 | 204 | 158 | 43 | 24 | 24 | 24                | 18000                            | 339 | 358  |
| 323725-ESD | LVA-60-24-SST-M20x98-ESD-C  | 327725-ESD | LVA-60-24-AS-SST-M20x98-ESD-C  | 60 | M20 | 141 | 144 | 98  | 43 | 24 | 24 | 24                | 18000                            | 332 | 351  |
| 323741-ESD | LVA-60-24-SST-M20x138-ESD-C | 327741-ESD | LVA-60-24-AS-SST-M20x138-ESD-C | 60 | M20 | 181 | 184 | 138 | 43 | 24 | 24 | 24                | 18000                            | 412 | 431  |
| 323761-ESD | LVA-60-24-SST-M20x158-ESD-C | 327761-ESD | LVA-60-24-AS-SST-M20x158-ESD-C | 60 | M20 | 201 | 204 | 158 | 43 | 24 | 24 | 24                | 18000                            | 452 | 471  |
| 323781-ESD | LVA-60-24-SST-M20x198-ESD-C | 327781-ESD | LVA-60-24-AS-SST-M20x198-ESD-C | 60 | M20 | 241 | 244 | 198 | 43 | 24 | 24 | 24                | 18000                            | 537 | 556  |
| 323825-ESD | LVA-60-24-SST-M24x98-ESD-C  | 327825-ESD | LVA-60-24-AS-SST-M24x98-ESD-C  | 60 | M24 | 141 | 144 | 98  | 43 | 24 | 24 | 24                | 18000                            | 432 | 451  |
| 323861-ESD | LVA-60-24-SST-M24x158-ESD-C | 327861-ESD | LVA-60-24-AS-SST-M24x158-ESD-C | 60 | M24 | 201 | 204 | 158 | 43 | 24 | 24 | 24                | 18000                            | 607 | 626  |
| 323881-ESD | LVA-60-24-SST-M24x198-ESD-C | 327881-ESD | LVA-60-24-AS-SST-M24x198-ESD-C | 60 | M24 | 241 | 244 | 198 | 43 | 24 | 24 | 24                | 18000                            | 728 | 747  |
| 324005-ESD | LVA-70-14-SST-M8x43-ESD-C   | 328005-ESD | LVA-70-14-AS-SST-M8x43-ESD-C   | 70 | M8  | 71  | 74  | 43  | 28 | 19 | 14 | 14                | 14000                            | 61  | 81   |
| 324011-ESD | LVA-70-14-SST-M8x68-ESD-C   | 328011-ESD | LVA-70-14-AS-SST-M8x68-ESD-C   | 70 | M8  | 96  | 99  | 68  | 28 | 19 | 14 | 14                | 14000                            | 73  | 93   |
| 324021-ESD | LVA-70-14-SST-M10x43-ESD-C  | 328021-ESD | LVA-70-14-AS-SST-M10x43-ESD-C  | 70 | M10 | 71  | 74  | 43  | 28 | 19 | 14 | 14                | 14000                            | 70  | 90   |
| 324025-ESD | LVA-70-14-SST-M10x68-ESD-C  | 328025-ESD | LVA-70-14-AS-SST-M10x68-ESD-C  | 70 | M10 | 96  | 99  | 68  | 28 | 19 | 14 | 14                | 14000                            | 84  | 103  |
| 324031-ESD | LVA-70-14-SST-M10x98-ESD-C  | 328031-ESD | LVA-70-14-AS-SST-M10x98-ESD-C  | 70 | M10 | 126 | 129 | 98  | 28 | 19 | 14 | 14                | 14000                            | 97  | 117  |
| 324061-ESD | LVA-70-14-SST-M12x43-ESD-C  | 328061-ESD | LVA-70-14-AS-SST-M12x43-ESD-C  | 70 | M12 | 71  | 74  | 43  | 28 | 19 | 14 | 14                | 14000                            | 80  | 100  |
| 324065-ESD | LVA-70-14-SST-M12x68-ESD-C  | 328065-ESD | LVA-70-14-AS-SST-M12x68-ESD-C  | 70 | M12 | 96  | 99  | 68  | 28 | 19 | 14 | 14                | 14000                            | 98  | 118  |
| 324071-ESD | LVA-70-14-SST-M12x98-ESD-C  | 328071-ESD | LVA-70-14-AS-SST-M12x98-ESD-C  | 70 | M12 | 126 | 129 | 98  | 28 | 19 | 14 | 14                | 14000                            | 120 | 140  |
| 324075-ESD | LVA-70-14-SST-M14x68-ESD-C  | 328075-ESD | LVA-70-14-AS-SST-M14x68-ESD-C  | 70 | M14 | 96  | 99  | 68  | 28 | 19 | 14 | 14                | 14000                            | 121 | 141  |
| 324081-ESD | LVA-70-14-SST-M14x98-ESD-C  | 328081-ESD | LVA-70-14-AS-SST-M14x98-ESD-C  | 70 | M14 | 126 | 129 | 98  | 28 | 19 | 14 | 14                | 14000                            | 142 | 162  |
| 324085-ESD | LVA-70-14-SST-M14x148-ESD-C | 328085-ESD | LVA-70-14-AS-SST-M14x148-ESD-C | 70 | M14 | 176 | 179 | 148 | 28 | 19 | 14 | 14                | 14000                            | 225 | 245  |
| 324101-ESD | LVA-70-14-SST-M16x68-ESD-C  | 328101-ESD | LVA-70-14-AS-SST-M16x68-ESD-C  | 70 | M16 | 96  | 99  | 68  | 28 | 19 | 16 | 14                | 14000                            | 143 | 163  |
| 324105-ESD | LVA-70-14-SST-M16x108-ESD-C | 328105-ESD | LVA-70-14-AS-SST-M16x108-ESD-C | 70 | M16 | 136 | 139 | 108 | 28 | 19 | 16 | 14                | 14000                            | 197 | 217  |
| 324111-ESD | LVA-70-14-SST-M16x148-ESD-C | 328111-ESD | LVA-70-14-AS-SST-M16x148-ESD-C | 70 | M16 | 176 | 179 | 148 | 28 | 19 | 16 | 14                | 14000                            | 250 | 270  |
| 324115-ESD | LVA-70-14-SST-M16x168-ESD-C | 328115-ESD | LVA-70-14-AS-SST-M16x168-ESD-C | 70 | M16 | 196 | 199 | 168 | 28 | 19 | 16 | 14                | 14000                            | 277 | 297  |
| 324121-ESD | LVA-80-14-SST-M8x43-ESD-C   | 328121-ESD | LVA-80-14-AS-SST-M8x43-ESD-C   | 80 | M8  | 76  | 79  | 43  | 33 | 24 | 14 | 14                | 16000                            | 84  | 110  |
| 324125-ESD | LVA-80-14-SST-M8x68-ESD-C   | 328125-ESD | LVA-80-14-AS-SST-M8x68-ESD-C   | 80 | M8  | 101 | 104 | 68  | 33 | 24 | 14 | 14                | 16000                            | 96  | 122  |
| 324221-ESD | LVA-80-14-SST-M10x43-ESD-C  | 328221-ESD | LVA-80-14-AS-SST-M10x43-ESD-C  | 80 | M10 | 76  | 79  | 43  | 33 | 24 | 14 | 14                | 16000                            | 93  | 119  |
| 324225-ESD | LVA-80-14-SST-M10x68-ESD-C  | 328225-ESD | LVA-80-14-AS-SST-M10x68-ESD-C  | 80 | M10 | 101 | 104 | 68  | 33 | 24 | 14 | 14                | 16000                            | 106 | 132  |
| 324231-ESD | LVA-80-14-SST-M10x98-ESD-C  | 328231-ESD | LVA-80-14-AS-SST-M10x98-ESD-C  | 80 | M10 | 131 | 134 | 98  | 33 | 24 | 14 | 14                | 16000                            | 120 | 146  |
| 324321-ESD | LVA-80-14-SST-M12x43-ESD-C  | 328321-ESD | LVA-80-14-AS-SST-M12x43-ESD-C  | 80 | M12 | 76  | 79  | 43  | 33 | 24 | 14 | 14                | 16000                            | 103 | 129  |
| 324325-ESD | LVA-80-14-SST-M12x68-ESD-C  | 328325-ESD | LVA-80-14-AS-SST-M12x68-ESD-C  | 80 | M12 | 101 | 104 | 68  | 33 | 24 | 14 | 14                | 16000                            | 121 | 147  |
| 324331-ESD | LVA-80-14-SST-M12x98-ESD-C  | 328331-ESD | LVA-80-14-AS-SST-M12x98-ESD-C  | 80 | M12 | 131 | 134 | 98  | 33 | 24 | 14 | 14                | 16000                            | 143 | 169  |
| 324421-ESD | LVA-80-14-SST-M14x68-ESD-C  | 328421-ESD | LVA-80-14-AS-SST-M14x68-ESD-C  | 80 | M14 | 101 | 104 | 68  | 33 | 24 | 14 | 14                | 16000                            | 144 | 170  |
| 324431-ESD | LVA-80-14-SST-M14x98-ESD-C  | 328431-ESD | LVA-80-14-AS-SST-M14x98-ESD-C  | 80 | M14 | 131 | 134 | 98  | 33 | 24 | 14 | 14                | 16000                            | 165 | 191  |
| 324441-ESD | LVA-80-14-SST-M14x148-ESD-C | 328441-ESD | LVA-80-14-AS-SST-M14x148-ESD-C | 80 | M14 | 181 | 184 | 148 | 33 | 24 | 14 | 14                | 16000                            | 248 | 274  |
| 324521-ESD | LVA-80-14-SST-M16x68-ESD-C  | 328521-ESD | LVA-80-14-AS-SST-M16x68-ESD-C  | 80 | M16 | 101 | 104 | 68  | 33 | 24 | 16 | 14                | 16000                            | 166 | 192  |
| 324525-ESD | LVA-80-14-SST-M16x108-ESD-C | 328525-ESD | LVA-80-14-AS-SST-M16x108-ESD-C | 80 | M16 | 141 | 144 | 108 | 33 | 24 | 16 | 14                | 16000                            | 220 | 246  |
| 324541-ESD | LVA-80-14-SST-M16x148-ESD-C | 328541-ESD | LVA-80-14-AS-SST-M16x148-ESD-C | 80 | M16 | 181 | 184 | 148 | 33 | 24 | 16 | 14                | 16000                            | 273 | 299  |
| 324561-ESD | LVA-80-14-SST-M16x168-ESD-C | 328561-ESD | LVA-80-14-AS-SST-M16x168-ESD-C | 80 | M16 | 201 | 204 | 168 | 33 | 24 | 16 | 14                | 16000                            | 300 | 326  |

\* The max static load is the value above which the load applied to the element may cause some plastic material breakage, in particular conditions of use. Obviously, a factor that takes into consideration the importance and the safety level of the specific application must be applied to this value.  
# Data with no-slip disk mounted.

LVA-SST-ESD-C

LVA-AS-SST-ESD-C



| Code       | Description                  | Code       | Description                     | D   | d   | L   | L#  | l   | l1 | h  | s  | Articulation<br>∅ | Max. limit<br>stati load*<br>[N] | ⚖️ | ⚖️  | #    |
|------------|------------------------------|------------|---------------------------------|-----|-----|-----|-----|-----|----|----|----|-------------------|----------------------------------|----|-----|------|
| 324621-ESD | LVA-80-24-SST-M16x58-ESD-C   | 328621-ESD | LVA-80-24-AS-SST-M16x58-ESD-C   | 80  | M16 | 101 | 104 | 58  | 43 | 24 | 24 | 24                | 18000                            |    | 228 | 254  |
| 324625-ESD | LVA-80-24-SST-M16x98-ESD-C   | 328625-ESD | LVA-80-24-AS-SST-M16x98-ESD-C   | 80  | M16 | 141 | 144 | 98  | 43 | 24 | 24 | 24                | 18000                            |    | 280 | 306  |
| 324641-ESD | LVA-80-24-SST-M16x138-ESD-C  | 328641-ESD | LVA-80-24-AS-SST-M16x138-ESD-C  | 80  | M16 | 181 | 184 | 138 | 43 | 24 | 24 | 24                | 18000                            |    | 331 | 357  |
| 324661-ESD | LVA-80-24-SST-M16x158-ESD-C  | 328661-ESD | LVA-80-24-AS-SST-M16x158-ESD-C  | 80  | M16 | 201 | 204 | 158 | 43 | 24 | 24 | 24                | 18000                            |    | 359 | 385  |
| 324725-ESD | LVA-80-24-SST-M20x98-ESD-C   | 328725-ESD | LVA-80-24-AS-SST-M20x98-ESD-C   | 80  | M20 | 141 | 144 | 98  | 43 | 24 | 24 | 24                | 18000                            |    | 352 | 378  |
| 324741-ESD | LVA-80-24-SST-M20x138-ESD-C  | 328741-ESD | LVA-80-24-AS-SST-M20x138-ESD-C  | 80  | M20 | 181 | 184 | 138 | 43 | 24 | 24 | 24                | 18000                            |    | 432 | 458  |
| 324761-ESD | LVA-80-24-SST-M20x158-ESD-C  | 328761-ESD | LVA-80-24-AS-SST-M20x158-ESD-C  | 80  | M20 | 201 | 204 | 158 | 43 | 24 | 24 | 24                | 18000                            |    | 472 | 498  |
| 324781-ESD | LVA-80-24-SST-M20x198-ESD-C  | 328781-ESD | LVA-80-24-AS-SST-M20x198-ESD-C  | 80  | M20 | 241 | 244 | 198 | 43 | 24 | 24 | 24                | 18000                            |    | 577 | 583  |
| 324825-ESD | LVA-80-24-SST-M24x98-ESD-C   | 328825-ESD | LVA-80-24-AS-SST-M24x98-ESD-C   | 80  | M24 | 141 | 144 | 98  | 43 | 24 | 24 | 24                | 18000                            |    | 452 | 478  |
| 324861-ESD | LVA-80-24-SST-M24x158-ESD-C  | 328861-ESD | LVA-80-24-AS-SST-M24x158-ESD-C  | 80  | M24 | 201 | 204 | 158 | 43 | 24 | 24 | 24                | 18000                            |    | 627 | 653  |
| 324881-ESD | LVA-80-24-SST-M24x198-ESD-C  | 328881-ESD | LVA-80-24-AS-SST-M24x198-ESD-C  | 80  | M24 | 241 | 244 | 198 | 43 | 24 | 24 | 24                | 18000                            |    | 748 | 774  |
| 325451-ESD | LVA-100-14-SST-M8x43-ESD-C   | 329451-ESD | LVA-100-14-AS-SST-M8x43-ESD-C   | 100 | M8  | 76  | 79  | 43  | 33 | 24 | 14 | 14                | 18000                            |    | 91  | 146  |
| 325453-ESD | LVA-100-14-SST-M8x68-ESD-C   | 329453-ESD | LVA-100-14-AS-SST-M8x68-ESD-C   | 100 | M8  | 101 | 104 | 68  | 33 | 24 | 14 | 14                | 18000                            |    | 103 | 158  |
| 325461-ESD | LVA-100-14-SST-M10x43-ESD-C  | 329461-ESD | LVA-100-14-AS-SST-M10x43-ESD-C  | 100 | M10 | 76  | 79  | 43  | 33 | 24 | 14 | 14                | 18000                            |    | 100 | 155  |
| 325463-ESD | LVA-100-14-SST-M10x68-ESD-C  | 329463-ESD | LVA-100-14-AS-SST-M10x68-ESD-C  | 100 | M10 | 101 | 104 | 68  | 33 | 24 | 14 | 14                | 18000                            |    | 112 | 167  |
| 325465-ESD | LVA-100-14-SST-M10x98-ESD-C  | 329465-ESD | LVA-100-14-AS-SST-M10x98-ESD-C  | 100 | M10 | 131 | 134 | 98  | 33 | 24 | 14 | 14                | 18000                            |    | 126 | 181  |
| 325471-ESD | LVA-100-14-SST-M12x43-ESD-C  | 329471-ESD | LVA-100-14-AS-SST-M12x43-ESD-C  | 100 | M12 | 76  | 79  | 43  | 33 | 24 | 14 | 14                | 18000                            |    | 110 | 165  |
| 325473-ESD | LVA-100-14-SST-M12x68-ESD-C  | 329473-ESD | LVA-100-14-AS-SST-M12x68-ESD-C  | 100 | M12 | 101 | 104 | 68  | 33 | 24 | 14 | 14                | 18000                            |    | 127 | 182  |
| 325475-ESD | LVA-100-14-SST-M12x98-ESD-C  | 329475-ESD | LVA-100-14-AS-SST-M12x98-ESD-C  | 100 | M12 | 131 | 134 | 98  | 33 | 24 | 14 | 14                | 18000                            |    | 148 | 203  |
| 325477-ESD | LVA-100-14-SST-M14x68-ESD-C  | 329477-ESD | LVA-100-14-AS-SST-M14x68-ESD-C  | 100 | M14 | 101 | 104 | 68  | 33 | 24 | 14 | 14                | 18000                            |    | 149 | 204  |
| 325479-ESD | LVA-100-14-SST-M14x98-ESD-C  | 329479-ESD | LVA-100-14-AS-SST-M14x98-ESD-C  | 100 | M14 | 131 | 134 | 98  | 33 | 24 | 14 | 14                | 18000                            |    | 170 | 225  |
| 325480-ESD | LVA-100-14-SST-M14x148-ESD-C | 329480-ESD | LVA-100-14-AS-SST-M14x148-ESD-C | 100 | M14 | 181 | 184 | 148 | 33 | 24 | 14 | 14                | 18000                            |    | 253 | 308  |
| 325481-ESD | LVA-100-14-SST-M16x68-ESD-C  | 329481-ESD | LVA-100-14-AS-SST-M16x68-ESD-C  | 100 | M16 | 101 | 104 | 68  | 33 | 24 | 16 | 14                | 18000                            |    | 171 | 226  |
| 325483-ESD | LVA-100-14-SST-M16x108-ESD-C | 329483-ESD | LVA-100-14-AS-SST-M16x108-ESD-C | 100 | M16 | 141 | 144 | 108 | 33 | 24 | 16 | 14                | 18000                            |    | 223 | 278  |
| 325485-ESD | LVA-100-14-SST-M16x148-ESD-C | 329485-ESD | LVA-100-14-AS-SST-M16x148-ESD-C | 100 | M16 | 181 | 184 | 148 | 33 | 24 | 16 | 14                | 18000                            |    | 275 | 330  |
| 325487-ESD | LVA-100-14-SST-M16x168-ESD-C | 329487-ESD | LVA-100-14-AS-SST-M16x168-ESD-C | 100 | M16 | 201 | 204 | 168 | 33 | 24 | 16 | 14                | 18000                            |    | 301 | 356  |
| 325521-ESD | LVA-100-24-SST-M16x58-ESD-C  | 329521-ESD | LVA-100-24-AS-SST-M16x58-ESD-C  | 100 | M16 | 101 | 104 | 58  | 43 | 24 | 24 | 24                | 25000                            |    | 254 | 308  |
| 325525-ESD | LVA-100-24-SST-M16x98-ESD-C  | 329525-ESD | LVA-100-24-AS-SST-M16x98-ESD-C  | 100 | M16 | 141 | 144 | 98  | 43 | 24 | 24 | 24                | 25000                            |    | 357 | 411  |
| 325541-ESD | LVA-100-24-SST-M16x138-ESD-C | 329541-ESD | LVA-100-24-AS-SST-M16x138-ESD-C | 100 | M16 | 181 | 184 | 138 | 43 | 24 | 24 | 24                | 25000                            |    | 357 | 411  |
| 325561-ESD | LVA-100-24-SST-M16x158-ESD-C | 329561-ESD | LVA-100-24-AS-SST-M16x158-ESD-C | 100 | M16 | 201 | 204 | 158 | 43 | 24 | 24 | 24                | 25000                            |    | 385 | 439  |
| 325625-ESD | LVA-100-24-SST-M20x98-ESD-C  | 329625-ESD | LVA-100-24-AS-SST-M20x98-ESD-C  | 100 | M20 | 141 | 144 | 98  | 43 | 24 | 24 | 24                | 25000                            |    | 378 | 432  |
| 325641-ESD | LVA-100-24-SST-M20x138-ESD-C | 329641-ESD | LVA-100-24-AS-SST-M20x138-ESD-C | 100 | M20 | 181 | 184 | 138 | 43 | 24 | 24 | 24                | 25000                            |    | 458 | 512  |
| 325661-ESD | LVA-100-24-SST-M20x158-ESD-C | 329661-ESD | LVA-100-24-AS-SST-M20x158-ESD-C | 100 | M20 | 201 | 204 | 158 | 43 | 24 | 24 | 24                | 25000                            |    | 498 | 552  |
| 325681-ESD | LVA-100-24-SST-M20x198-ESD-C | 329681-ESD | LVA-100-24-AS-SST-M20x198-ESD-C | 100 | M20 | 241 | 244 | 198 | 43 | 24 | 24 | 24                | 25000                            |    | 583 | 637  |
| 325725-ESD | LVA-100-24-SST-M24x98-ESD-C  | 329725-ESD | LVA-100-24-AS-SST-M24x98-ESD-C  | 100 | M24 | 141 | 144 | 98  | 43 | 24 | 24 | 24                | 25000                            |    | 478 | 532  |
| 325761-ESD | LVA-100-24-SST-M24x158-ESD-C | 329761-ESD | LVA-100-24-AS-SST-M24x158-ESD-C | 100 | M24 | 201 | 204 | 158 | 43 | 24 | 24 | 24                | 25000                            |    | 653 | 707  |
| 325781-ESD | LVA-100-24-SST-M24x198-ESD-C | 329781-ESD | LVA-100-24-AS-SST-M24x198-ESD-C | 100 | M24 | 241 | 244 | 198 | 43 | 24 | 24 | 24                | 25000                            |    | 774 | 828  |
| 326521-ESD | LVA-125-24-SST-M16x58-ESD-C  | 330221-ESD | LVA-125-24-AS-SST-M16x58-ESD-C  | 125 | M16 | 125 | 128 | 58  | 67 | 46 | 24 | 24                | 28000                            |    | 389 | 515  |
| 326525-ESD | LVA-125-24-SST-M16x98-ESD-C  | 330225-ESD | LVA-125-24-AS-SST-M16x98-ESD-C  | 125 | M16 | 165 | 168 | 98  | 67 | 46 | 24 | 24                | 28000                            |    | 441 | 567  |
| 326541-ESD | LVA-125-24-SST-M16x138-ESD-C | 330241-ESD | LVA-125-24-AS-SST-M16x138-ESD-C | 125 | M16 | 205 | 208 | 138 | 67 | 46 | 24 | 24                | 28000                            |    | 492 | 618  |
| 326561-ESD | LVA-125-24-SST-M16x158-ESD-C | 330261-ESD | LVA-125-24-AS-SST-M16x158-ESD-C | 125 | M16 | 225 | 228 | 158 | 67 | 46 | 24 | 24                | 28000                            |    | 520 | 646  |
| 326625-ESD | LVA-125-24-SST-M20x98-ESD-C  | 330325-ESD | LVA-125-24-AS-SST-M20x98-ESD-C  | 125 | M20 | 165 | 168 | 98  | 67 | 46 | 24 | 24                | 28000                            |    | 513 | 639  |
| 326641-ESD | LVA-125-24-SST-M20x138-ESD-C | 330341-ESD | LVA-125-24-AS-SST-M20x138-ESD-C | 125 | M20 | 205 | 208 | 138 | 67 | 46 | 24 | 24                | 28000                            |    | 633 | 759  |
| 326661-ESD | LVA-125-24-SST-M20x158-ESD-C | 330361-ESD | LVA-125-24-AS-SST-M20x158-ESD-C | 125 | M20 | 225 | 228 | 158 | 67 | 46 | 24 | 24                | 28000                            |    | 633 | 759  |
| 326681-ESD | LVA-125-24-SST-M20x198-ESD-C | 330381-ESD | LVA-125-24-AS-SST-M20x198-ESD-C | 125 | M20 | 265 | 268 | 198 | 67 | 46 | 24 | 24                | 28000                            |    | 718 | 844  |
| 326725-ESD | LVA-125-24-SST-M24x98-ESD-C  | 330425-ESD | LVA-125-24-AS-SST-M24x98-ESD-C  | 125 | M24 | 165 | 168 | 98  | 67 | 46 | 24 | 24                | 28000                            |    | 613 | 739  |
| 326761-ESD | LVA-125-24-SST-M24x158-ESD-C | 330461-ESD | LVA-125-24-AS-SST-M24x158-ESD-C | 125 | M24 | 225 | 228 | 158 | 67 | 46 | 24 | 24                | 28000                            |    | 788 | 914  |
| 326781-ESD | LVA-125-24-SST-M24x198-ESD-C | 330481-ESD | LVA-125-24-AS-SST-M24x198-ESD-C | 125 | M24 | 265 | 268 | 198 | 67 | 46 | 24 | 24                | 28000                            |    | 909 | 1035 |

\* The max static load is the value above which the load applied to the element may cause some plastic material breakage, in particular conditions of use. Obviously, a factor that takes into consideration the importance and the safety level of the specific application must be applied to this value.  
# Data with no-slip disk mounted.



Levelling elements and supports