

BASE

Glass-fibre reinforced polyamide based (PA) technopolymer, black colour, matte finish.

ARTICULATED STEM

Threaded AISI 304 stainless steel with regulation hexagon.

STANDARD EXECUTIONS

- LV.A-SST: without no-slip disk.
- LV.A-AS-SST: with NBR rubber no-slip disk, hardness 70 Shore A, supplied assembled to the base.

FEATURES

The special knurling under the lower lip of the base provides excellent stability and grip when using the levelling element without no-slip disk even on surfaces that are not perfectly flat. The particular assembling system of the no-slip disk to the base assures a perfect anchoring, preventing separation even in case of impact during transport or of adhesion (sticking) to the floor (see No-slip disks on page 835).

ORDER INFORMATION

The levelling elements are supplied unassembled to make carriage and storage easier. The components (base and stem) are supplied in separate packing: less volume taken and better protection from scratches and dirt.

To order bases and stems separately, see:

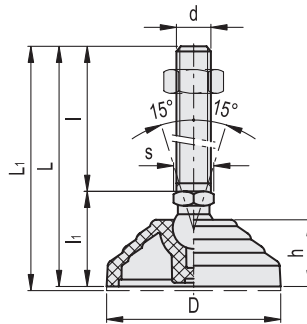
- table of possible combinations Bases/Stems (see page 839)
- the codes of the Bases (see page 836)
- the codes of the Stems (see page 840).

ACCESSORIES ON REQUEST

AISI 304 stainless steel nut (see Nuts NT. on page).



ELESA Original design



LV.A-SST

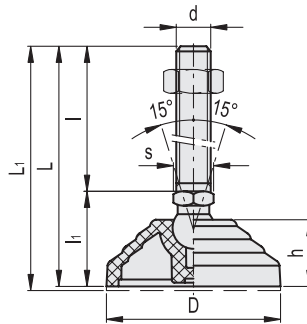
LV.A-AS-SST

Code	Description	Code	Description	D	d	L	Li#	l	li	h	s	Articulation °	Max. limit stati load* [N]	⚖️	⚖️ #
323121	LV.A-60-14-SST-M8x43	327121	LV.A-60-14-AS-SST-M8x43	60	M8	76	79	43	33	24	14	14	14000	63	82
323125	LV.A-60-14-SST-M8x68	327125	LV.A-60-14-AS-SST-M8x68	60	M8	101	104	68	33	24	14	14	14000	75	94
323221	LV.A-60-14-SST-M10x43	327221	LV.A-60-14-AS-SST-M10x43	60	M10	76	79	43	33	24	14	14	14000	72	91
323225	LV.A-60-14-SST-M10x68	327225	LV.A-60-14-AS-SST-M10x68	60	M10	101	104	68	33	24	14	14	14000	85	104
323231	LV.A-60-14-SST-M10x98	327231	LV.A-60-14-AS-SST-M10x98	60	M10	131	134	98	33	24	14	14	14000	99	118
323321	LV.A-60-14-SST-M12x43	327321	LV.A-60-14-AS-SST-M12x43	60	M12	76	79	43	33	24	14	14	14000	82	101
323325	LV.A-60-14-SST-M12x68	327325	LV.A-60-14-AS-SST-M12x68	60	M12	101	104	68	33	24	14	14	14000	100	119
323331	LV.A-60-14-SST-M12x98	327331	LV.A-60-14-AS-SST-M12x98	60	M12	131	134	98	33	24	14	14	14000	122	141
323421	LV.A-60-14-SST-M14X68	327421	LV.A-60-14-AS-SST-M14X68	60	M14	101	104	68	33	24	14	14	14000	123	142
323431	LV.A-60-14-SST-M14X98	327431	LV.A-60-14-AS-SST-M14X98	60	M14	131	134	98	33	24	14	14	14000	144	163
323441	LV.A-60-14-SST-M14X148	327441	LV.A-60-14-AS-SST-M14X148	60	M14	181	184	148	33	24	14	14	14000	227	246
323521	LV.A-60-14-SST-M16x68	327521	LV.A-60-14-AS-SST-M16x68	60	M16	101	104	68	33	24	16	14	14000	145	164
323525	LV.A-60-14-SST-M16x108	327525	LV.A-60-14-AS-SST-M16x108	60	M16	141	144	108	33	24	16	14	14000	199	218
323541	LV.A-60-14-SST-M16x148	327541	LV.A-60-14-AS-SST-M16x148	60	M16	181	184	148	33	24	16	14	14000	252	271
323561	LV.A-60-14-SST-M16x168	327561	LV.A-60-14-AS-SST-M16x168	60	M16	201	204	168	33	24	16	14	14000	279	298

* The max static load is the value above which the load applied to the element may cause some plastic material breakage, in particular conditions of use. Obviously, a factor that takes into consideration the importance and the safety level of the specific application must be applied to this value.
Data with no-slip disk mounted.



Levelling elements and supports



LV.A-SST

LV.A-AS-SST

Code	Description	Code	Description	D	d	L	L#	l	l#	h	s	Articulation θ	Max. limit stati load* [N]	⚖️	⚖️#
323621	LV.A-60-24-SST-M16x58	327621	LV.A-60-24-AS-SST-M16x58	60	M16	101	104	58	43	24	24	24	18000	208	227
323625	LV.A-60-24-SST-M16x98	327625	LV.A-60-24-AS-SST-M16x98	60	M16	141	144	98	43	24	24	24	18000	260	279
323641	LV.A-60-24-SST-M16x138	327641	LV.A-60-24-AS-SST-M16x138	60	M16	181	184	138	43	24	24	24	18000	311	330
323661	LV.A-60-24-SST-M16x158	327661	LV.A-60-24-AS-SST-M16x158	60	M16	201	204	158	43	24	24	24	18000	339	358
323725	LV.A-60-24-SST-M20x98	327725	LV.A-60-24-AS-SST-M20x98	60	M20	141	144	98	43	24	24	24	18000	332	351
323741	LV.A-60-24-SST-M20x138	327741	LV.A-60-24-AS-SST-M20x138	60	M20	181	184	138	43	24	24	24	18000	412	431
323761	LV.A-60-24-SST-M20x158	327761	LV.A-60-24-AS-SST-M20x158	60	M20	201	204	158	43	24	24	24	18000	452	471
323781	LV.A-60-24-SST-M20x198	327781	LV.A-60-24-AS-SST-M20x198	60	M20	241	244	198	43	24	24	24	18000	537	556
323825	LV.A-60-24-SST-M24x98	327825	LV.A-60-24-AS-SST-M24x98	60	M24	141	144	98	43	24	24	24	18000	432	451
323861	LV.A-60-24-SST-M24x158	327861	LV.A-60-24-AS-SST-M24x158	60	M24	201	204	158	43	24	24	24	18000	607	626
323881	LV.A-60-24-SST-M24x198	327881	LV.A-60-24-AS-SST-M24x198	60	M24	241	244	198	43	24	24	24	18000	728	747
324005	LV.A-70-14-SST-M8x43	328005	LV.A-70-14-AS-SST-M8x43	70	M8	71	74	43	28	19	14	14	14000	61	81
324011	LV.A-70-14-SST-M8x68	328011	LV.A-70-14-AS-SST-M8x68	70	M8	96	99	68	28	19	14	14	14000	73	93
324021	LV.A-70-14-SST-M10x43	328021	LV.A-70-14-AS-SST-M10x43	70	M10	71	74	43	28	19	14	14	14000	70	90
324025	LV.A-70-14-SST-M10x68	328025	LV.A-70-14-AS-SST-M10x68	70	M10	96	99	68	28	19	14	14	14000	84	103
324031	LV.A-70-14-SST-M10x98	328031	LV.A-70-14-AS-SST-M10x98	70	M10	126	129	98	28	19	14	14	14000	97	117
324061	LV.A-70-14-SST-M12x43	328061	LV.A-70-14-AS-SST-M12x43	70	M12	71	74	43	28	19	14	14	14000	80	100
324065	LV.A-70-14-SST-M12x68	328065	LV.A-70-14-AS-SST-M12x68	70	M12	96	99	68	28	19	14	14	14000	98	118
324071	LV.A-70-14-SST-M12x98	328071	LV.A-70-14-AS-SST-M12x98	70	M12	126	129	98	28	19	14	14	14000	120	140
324075	LV.A-70-14-SST-M14x68	328075	LV.A-70-14-AS-SST-M14x68	70	M14	96	99	68	28	19	14	14	14000	121	141
324081	LV.A-70-14-SST-M14x98	328081	LV.A-70-14-AS-SST-M14x98	70	M14	126	129	98	28	19	14	14	14000	142	162
324085	LV.A-70-14-SST-M14x148	328085	LV.A-70-14-AS-SST-M14x148	70	M14	176	179	148	28	19	14	14	14000	225	245
324101	LV.A-70-14-SST-M16x68	328101	LV.A-70-14-AS-SST-M16x68	70	M16	96	99	68	28	19	16	14	14000	143	163
324105	LV.A-70-14-SST-M16x108	328105	LV.A-70-14-AS-SST-M16x108	70	M16	136	139	108	28	19	16	14	14000	197	217
324111	LV.A-70-14-SST-M16x148	328111	LV.A-70-14-AS-SST-M16x148	70	M16	176	179	148	28	19	16	14	14000	250	270
324115	LV.A-70-14-SST-M16x168	328115	LV.A-70-14-AS-SST-M16x168	70	M16	196	199	168	28	19	16	14	14000	277	297
324121	LV.A-80-14-SST-M8x43	328121	LV.A-80-14-AS-SST-M8x43	80	M8	76	79	43	33	24	14	14	16000	84	110
324125	LV.A-80-14-SST-M8x68	328125	LV.A-80-14-AS-SST-M8x68	80	M8	101	104	68	33	24	14	14	16000	96	122
324221	LV.A-80-14-SST-M10x43	328221	LV.A-80-14-AS-SST-M10x43	80	M10	76	79	43	33	24	14	14	16000	93	119
324225	LV.A-80-14-SST-M10x68	328225	LV.A-80-14-AS-SST-M10x68	80	M10	101	104	68	33	24	14	14	16000	106	132
324231	LV.A-80-14-SST-M10x98	328231	LV.A-80-14-AS-SST-M10x98	80	M10	131	134	98	33	24	14	14	16000	120	146
324321	LV.A-80-14-SST-M12x43	328321	LV.A-80-14-AS-SST-M12x43	80	M12	76	79	43	33	24	14	14	16000	103	129
324325	LV.A-80-14-SST-M12x68	328325	LV.A-80-14-AS-SST-M12x68	80	M12	101	104	68	33	24	14	14	16000	121	147
324331	LV.A-80-14-SST-M12x98	328331	LV.A-80-14-AS-SST-M12x98	80	M12	131	134	98	33	24	14	14	16000	143	169
324421	LV.A-80-14-SST-M14x68	328421	LV.A-80-14-AS-SST-M14x68	80	M14	101	104	68	33	24	14	14	16000	144	170
324431	LV.A-80-14-SST-M14x98	328431	LV.A-80-14-AS-SST-M14x98	80	M14	131	134	98	33	24	14	14	16000	165	191
324441	LV.A-80-14-SST-M14x148	328441	LV.A-80-14-AS-SST-M14x148	80	M14	181	184	148	33	24	14	14	16000	248	274
324521	LV.A-80-14-SST-M16x68	328521	LV.A-80-14-AS-SST-M16x68	80	M16	101	104	68	33	24	16	14	16000	166	192
324525	LV.A-80-14-SST-M16x108	328525	LV.A-80-14-AS-SST-M16x108	80	M16	141	144	108	33	24	16	14	16000	220	246
324541	LV.A-80-14-SST-M16x148	328541	LV.A-80-14-AS-SST-M16x148	80	M16	181	184	148	33	24	16	14	16000	273	299
324561	LV.A-80-14-SST-M16x168	328561	LV.A-80-14-AS-SST-M16x168	80	M16	201	204	168	33	24	16	14	16000	300	326

* The max static load is the value above which the load applied to the element may cause some plastic material breakage, in particular conditions of use. Obviously, a factor that takes into consideration the importance and the safety level of the specific application must be applied to this value.

Data with no-slip disk mounted.



LV.A-SST

LV.A-AS-SST



Code	Description	Code	Description	D	d	L	L#	l	li	h	s	Articulation ∅	Max. limit stati load* [N]	⚖️	⚖️ #
324621	LV.A-80-24-SST-M16x58	328621	LV.A-80-24-AS-SST-M16x58	80	M16	101	104	58	43	24	24	24	18000	228	254
324625	LV.A-80-24-SST-M16x98	328625	LV.A-80-24-AS-SST-M16x98	80	M16	141	144	98	43	24	24	24	18000	280	306
324641	LV.A-80-24-SST-M16x138	328641	LV.A-80-24-AS-SST-M16x138	80	M16	181	184	138	43	24	24	24	18000	331	357
324661	LV.A-80-24-SST-M16x158	328661	LV.A-80-24-AS-SST-M16x158	80	M16	201	204	158	43	24	24	24	18000	359	385
324725	LV.A-80-24-SST-M20x98	328725	LV.A-80-24-AS-SST-M20x98	80	M20	141	144	98	43	24	24	24	18000	352	378
324741	LV.A-80-24-SST-M20x138	328741	LV.A-80-24-AS-SST-M20x138	80	M20	181	184	138	43	24	24	24	18000	432	458
324761	LV.A-80-24-SST-M20x158	328761	LV.A-80-24-AS-SST-M20x158	80	M20	201	204	158	43	24	24	24	18000	472	498
324781	LV.A-80-24-SST-M20x198	328781	LV.A-80-24-AS-SST-M20x198	80	M20	241	244	198	43	24	24	24	18000	577	583
324825	LV.A-80-24-SST-M24x98	328825	LV.A-80-24-AS-SST-M24x98	80	M24	141	144	98	43	24	24	24	18000	452	478
324861	LV.A-80-24-SST-M24x158	328861	LV.A-80-24-AS-SST-M24x158	80	M24	201	204	158	43	24	24	24	18000	627	653
324881	LV.A-80-24-SST-M24x198	328881	LV.A-80-24-AS-SST-M24x198	80	M24	241	244	198	43	24	24	24	18000	748	774
325451	LV.A-100-14-SST-M8x43	329451	LV.A-100-14-AS-SST-M8x43	100	M8	76	79	43	33	24	14	14	18000	91	146
325453	LV.A-100-14-SST-M8x68	329453	LV.A-100-14-AS-SST-M8x68	100	M8	101	104	68	33	24	14	14	18000	103	158
325461	LV.A-100-14-SST-M10x43	329461	LV.A-100-14-AS-SST-M10x43	100	M10	76	79	43	33	24	14	14	18000	100	155
325463	LV.A-100-14-SST-M10x68	329463	LV.A-100-14-AS-SST-M10x68	100	M10	101	104	68	33	24	14	14	18000	112	167
325465	LV.A-100-14-SST-M10x98	329465	LV.A-100-14-AS-SST-M10x98	100	M10	131	134	98	33	24	14	14	18000	126	181
325471	LV.A-100-14-SST-M12x43	329471	LV.A-100-14-AS-SST-M12x43	100	M12	76	79	43	33	24	14	14	18000	110	165
325473	LV.A-100-14-SST-M12x68	329473	LV.A-100-14-AS-SST-M12x68	100	M12	101	104	68	33	24	14	14	18000	127	182
325475	LV.A-100-14-SST-M12x98	329475	LV.A-100-14-AS-SST-M12x98	100	M12	131	134	98	33	24	14	14	18000	148	203
325477	LV.A-100-14-SST-M14X68	329477	LV.A-100-14-AS-SST-M14X68	100	M14	101	104	68	33	24	14	14	18000	149	204
325479	LV.A-100-14-SST-M14X98	329479	LV.A-100-14-AS-SST-M14X98	100	M14	131	134	98	33	24	14	14	18000	170	225
325480	LV.A-100-14-SST-M14X148	329480	LV.A-100-14-AS-SST-M14X148	100	M14	181	184	148	33	24	14	14	18000	253	308
325481	LV.A-100-14-SST-M16x68	329481	LV.A-100-14-AS-SST-M16x68	100	M16	101	104	68	33	24	16	14	18000	171	226
325483	LV.A-100-14-SST-M16x108	329483	LV.A-100-14-AS-SST-M16x108	100	M16	141	144	108	33	24	16	14	18000	223	278
325485	LV.A-100-14-SST-M16x148	329485	LV.A-100-14-AS-SST-M16x148	100	M16	181	184	148	33	24	16	14	18000	275	330
325487	LV.A-100-14-SST-M16x168	329487	LV.A-100-14-AS-SST-M16x168	100	M16	201	204	168	33	24	16	14	18000	301	356
325521	LV.A-100-24-SST-M16x58	329521	LV.A-100-24-AS-SST-M16x58	100	M16	101	104	58	43	24	24	24	25000	254	308
325525	LV.A-100-24-SST-M16x98	329525	LV.A-100-24-AS-SST-M16x98	100	M16	141	144	98	43	24	24	24	25000	357	411
325541	LV.A-100-24-SST-M16x138	329541	LV.A-100-24-AS-SST-M16x138	100	M16	181	184	138	43	24	24	24	25000	357	411
325561	LV.A-100-24-SST-M16x158	329561	LV.A-100-24-AS-SST-M16x158	100	M16	201	204	158	43	24	24	24	25000	385	439
325625	LV.A-100-24-SST-M20x98	329625	LV.A-100-24-AS-SST-M20x98	100	M20	141	144	98	43	24	24	24	25000	378	432
325641	LV.A-100-24-SST-M20x138	329641	LV.A-100-24-AS-SST-M20x138	100	M20	181	184	138	43	24	24	24	25000	458	512
325661	LV.A-100-24-SST-M20x158	329661	LV.A-100-24-AS-SST-M20x158	100	M20	201	204	158	43	24	24	24	25000	498	552
325681	LV.A-100-24-SST-M20x198	329681	LV.A-100-24-AS-SST-M20x198	100	M20	241	244	198	43	24	24	24	25000	583	637
325725	LV.A-100-24-SST-M24x98	329725	LV.A-100-24-AS-SST-M24x98	100	M24	141	144	98	43	24	24	24	25000	478	532
325761	LV.A-100-24-SST-M24x158	329761	LV.A-100-24-AS-SST-M24x158	100	M24	201	204	158	43	24	24	24	25000	653	707
325781	LV.A-100-24-SST-M24x198	329781	LV.A-100-24-AS-SST-M24x198	100	M24	241	244	198	43	24	24	24	25000	774	828
326521	LV.A-125-24-SST-M16x58	330221	LV.A-125-24-AS-SST-M16x58	125	M16	125	128	58	67	46	24	24	28000	389	515
326525	LV.A-125-24-SST-M16x98	330225	LV.A-125-24-AS-SST-M16x98	125	M16	165	168	98	67	46	24	24	28000	441	567
326541	LV.A-125-24-SST-M16x138	330241	LV.A-125-24-AS-SST-M16x138	125	M16	205	208	138	67	46	24	24	28000	492	618
326561	LV.A-125-24-SST-M16x158	330261	LV.A-125-24-AS-SST-M16x158	125	M16	225	228	158	67	46	24	24	28000	520	646
326625	LV.A-125-24-SST-M20x98	330325	LV.A-125-24-AS-SST-M20x98	125	M20	165	168	98	67	46	24	24	28000	513	639
326641	LV.A-125-24-SST-M20x138	330341	LV.A-125-24-AS-SST-M20x138	125	M20	205	208	138	67	46	24	24	28000	633	759
326661	LV.A-125-24-SST-M20x158	330361	LV.A-125-24-AS-SST-M20x158	125	M20	225	228	158	67	46	24	24	28000	633	759
326681	LV.A-125-24-SST-M20x198	330381	LV.A-125-24-AS-SST-M20x198	125	M20	265	268	198	67	46	24	24	28000	718	844
326725	LV.A-125-24-SST-M24x98	330425	LV.A-125-24-AS-SST-M24x98	125	M24	165	168	98	67	46	24	24	28000	613	739
326761	LV.A-125-24-SST-M24x158	330461	LV.A-125-24-AS-SST-M24x158	125	M24	225	228	158	67	46	24	24	28000	788	914
326781	LV.A-125-24-SST-M24x198	330481	LV.A-125-24-AS-SST-M24x198	125	M24	265	268	198	67	46	24	24	28000	909	1035

* The max static load is the value above which the load applied to the element may cause some plastic material breakage, in particular conditions of use. Obviously, a factor that takes into consideration the importance and the safety level of the specific application must be applied to this value.
Data with no-slip disk mounted.