

- 1
- 2
- 3
- 4
- 5
- 6
- 7
- 8
- 9
- 10
- 11
- 12
- 13
- 14
- 15
- RH

**BASE**

Glass-fibre reinforced polyamide based (PA) technopolymer, black colour, matte finish.

**THROUGH STEM**

Threaded zinc-plated steel with regulation hexagon, black-oxide steel retaining ring and zinc-plated steel plain washer.

**STANDARD EXECUTIONS**

- **LV.A-APS**: without no-slip disk.
- **LV.A-APS-AS**: with NBR rubber no-slip disk, hardness 90 Shore A, supplied assembled, reinforced with zinc-plated steel plate fixed by means of two screws.

**FEATURES**

The special knurling under the lower lip of the base provides excellent stability and grip when using the levelling element without no-slip disk even on surfaces that are not perfectly flat. The components of the levelling elements (base and stem) are supplied already assembled.

**ACCESSORIES ON REQUEST**

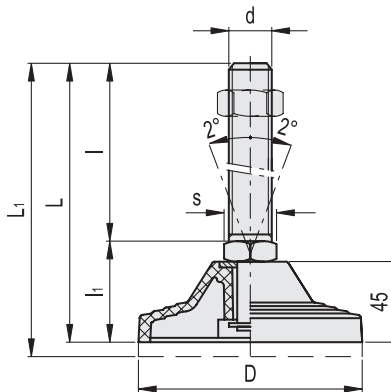
Zinc-plated steel nut (see Nuts NT. on page 835).

**SPECIAL EXECUTIONS ON REQUEST**

AISI 304 stainless steel stems.



ELESA Original design



**LV.A-APS**

**LV.A-APS-AS**

Code	Description	Code	Description	D	d	L	L1#	l	l1	s	Max. limit stati load* [N]	Δ	Δ#
306961	LV.A-125-APS-M20x95	310961	LV.A-125-APS-AS-M20x95	125	M20	150	160	95	55	24	40000	465	715
306965	LV.A-125-APS-M20x155	310965	LV.A-125-APS-AS-M20x155	125	M20	210	220	155	55	24	40000	585	835
306971	LV.A-125-APS-M24x95	310971	LV.A-125-APS-AS-M24x95	125	M24	150	160	95	55	24	40000	620	870
306975	LV.A-125-APS-M24x155	310975	LV.A-125-APS-AS-M24x155	125	M24	210	220	155	55	24	40000	735	985
306985	LV.A-125-APS-M30x155	310985	LV.A-125-APS-AS-M30x155	125	M30	210	220	155	55	30	40000	925	1175

\* The max static load is the value above which the load applied to the element may cause some plastic material breakage, in particular conditions of use. Obviously, a factor that takes into consideration the importance and the safety level of the specific application must be applied to this value.

# Data with no-slip disk mounted.