

- 1
- 2
- 3
- 4
- 5
- 6
- 7
- 8
- 9
- 10
- 11
- 12
- 13
- 14
- 15
- RH

Levelling elements and supports

BASE

Glass-fibre reinforced polyamide based (PA) technopolymer, black colour, matte finish.

ARTICULATED STEM

Threaded zinc-plated steel with regulation hexagon.

STANDARD EXECUTIONS

- **LV.A**: without no-slip disk.
- **LV.A-AS**: with NBR rubber no-slip disk, hardness 70 Shore A, supplied assembled to the base.

FEATURES

The special knurling under the lower lip of the base provides excellent stability and grip when using the levelling element without no-slip disk even on surfaces that are not perfectly flat.

The particular assembling system of the no-slip disk to the base assures a perfect anchoring, preventing separation even in case of impact during transport or of adhesion (sticking) to the floor (see No-slip disks on page 835).

ORDER INFORMATION

The levelling elements are supplied unassembled to make carriage and storage easier. The components (base and stem) are supplied in separate packing: less volume taken and better protection from scratches and dirt.

To order bases and stems separately, see:

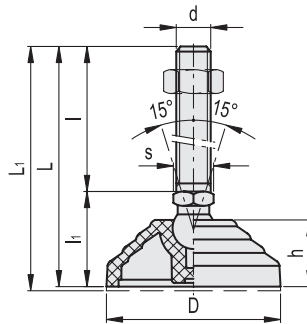
- table of possible combinations Bases/Stems (see page 839)
- the codes of the Bases (see page 836)
- the codes of the Stems (see page 840).

ACCESSORIES ON REQUEST

Zinc-plated steel nut (see Nuts NT, on page 835).



ELESA Original design



LV.A

LV.A-AS

Code	Description	Code	Description	D	d	L	L1#	l	l1	h	s	Articulation ∅	Max. limit stati load* [N]	#	#
303121	LV.A-60-14-M8x43	307121	LV.A-60-14-AS-M8x43	60	M8	76	79	43	33	24	14	14	14000	62	81
303125	LV.A-60-14-M8x68	307125	LV.A-60-14-AS-M8x68	60	M8	101	104	68	33	24	14	14	14000	74	93
303221	LV.A-60-14-M10x43	307221	LV.A-60-14-AS-M10x43	60	M10	76	79	43	33	24	14	14	14000	71	90
303225	LV.A-60-14-M10x68	307225	LV.A-60-14-AS-M10x68	60	M10	101	104	68	33	24	14	14	14000	83	102
303231	LV.A-60-14-M10x98	307231	LV.A-60-14-AS-M10x98	60	M10	131	134	98	33	24	14	14	14000	97	116
303321	LV.A-60-14-M12x43	307321	LV.A-60-14-AS-M12x43	60	M12	76	79	43	33	24	14	14	14000	81	100
303325	LV.A-60-14-M12x68	307325	LV.A-60-14-AS-M12x68	60	M12	101	104	68	33	24	14	14	14000	98	117
303331	LV.A-60-14-M12x98	307331	LV.A-60-14-AS-M12x98	60	M12	131	134	98	33	24	14	14	14000	119	138
303421	LV.A-60-14-M14x68	307421	LV.A-60-14-AS-M14x68	60	M14	101	104	68	33	24	14	14	14000	123	139
303431	LV.A-60-14-M14x98	307431	LV.A-60-14-AS-M14x98	60	M14	131	134	98	33	24	14	14	14000	144	160
303441	LV.A-60-14-M14x148	307441	LV.A-60-14-AS-M14x148	60	M14	181	184	148	33	24	14	14	14000	227	243
303521	LV.A-60-14-M16x68	307521	LV.A-60-14-AS-M16x68	60	M16	101	104	68	33	24	16	14	14000	142	161
303525	LV.A-60-14-M16x108	307525	LV.A-60-14-AS-M16x108	60	M16	141	144	108	33	24	16	14	14000	194	213
303541	LV.A-60-14-M16x148	307541	LV.A-60-14-AS-M16x148	60	M16	181	184	148	33	24	16	14	14000	246	265
303561	LV.A-60-14-M16x168	307561	LV.A-60-14-AS-M16x168	60	M16	201	204	168	33	24	16	14	14000	272	291

* The max static load is the value above which the load applied to the element may cause some plastic material breakage, in particular conditions of use. Obviously, a factor that takes into consideration the importance and the safety level of the specific application must be applied to this value.

Data with no-slip disk mounted.

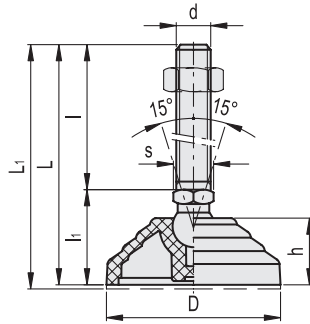
LVA		LVA-AS												Max. limit stati load* [N]		⚖️ #	
Code	Description	Code	Description	D	d	L	Lt#	l	lt	h	s	Articulation ∅					
303621	LVA-60-24-M16x58	307621	LVA-60-24-AS-M16x58	60	M16	101	104	58	43	24	24	24	18000	205	224		
303625	LVA-60-24-M16x98	307625	LVA-60-24-AS-M16x98	60	M16	141	144	98	43	24	24	24	18000	256	275		
303641	LVA-60-24-M16x138	307641	LVA-60-24-AS-M16x138	60	M16	181	184	138	43	24	24	24	18000	306	325		
303661	LVA-60-24-M16x158	307661	LVA-60-24-AS-M16x158	60	M16	201	204	158	43	24	24	24	18000	333	352		
303725	LVA-60-24-M20x98	307725	LVA-60-24-AS-M20x98	60	M20	141	144	98	43	24	24	24	18000	326	345		
303741	LVA-60-24-M20x138	307741	LVA-60-24-AS-M20x138	60	M20	181	184	138	43	24	24	24	18000	405	424		
303761	LVA-60-24-M20x158	307761	LVA-60-24-AS-M20x158	60	M20	201	204	158	43	24	24	24	18000	444	463		
303781	LVA-60-24-M20x198	307781	LVA-60-24-AS-M20x198	60	M20	241	244	198	43	24	24	24	18000	527	546		
303825	LVA-60-24-M24x98	307825	LVA-60-24-AS-M24x98	60	M24	141	144	98	43	24	24	24	18000	424	443		
303861	LVA-60-24-M24x158	307861	LVA-60-24-AS-M24x158	60	M24	201	204	158	43	24	24	24	18000	596	615		
303881	LVA-60-24-M24x198	307881	LVA-60-24-AS-M24x198	60	M24	241	244	198	43	24	24	24	18000	714	733		
304005	LVA-70-14-M8x43	308005	LVA-70-14-AS-M8x43	70	M8	71	74	43	28	19	14	14	14000	60	80		
304011	LVA-70-14-M8x68	308011	LVA-70-14-AS-M8x68	70	M8	96	99	68	28	19	14	14	14000	72	92		
304021	LVA-70-14-M10x43	308021	LVA-70-14-AS-M10x43	70	M10	71	74	43	28	19	14	14	14000	69	89		
304025	LVA-70-14-M10x68	308025	LVA-70-14-AS-M10x68	70	M10	96	99	68	28	19	14	14	14000	81	101		
304031	LVA-70-14-M10x98	308031	LVA-70-14-AS-M10x98	70	M10	126	129	98	28	19	14	14	14000	95	115		
304061	LVA-70-14-M12x43	308061	LVA-70-14-AS-M12x43	70	M12	71	74	43	28	19	14	14	14000	79	99		
304065	LVA-70-14-M12x68	308065	LVA-70-14-AS-M12x68	70	M12	96	99	68	28	19	14	14	14000	96	116		
304071	LVA-70-14-M12x98	308071	LVA-70-14-AS-M12x98	70	M12	126	129	98	28	19	14	14	14000	117	137		
304075	LVA-70-14-M14X68	308075	LVA-70-14-AS-M14X68	70	M14	96	99	68	28	19	14	14	14000	118	138		
304081	LVA-70-14-M14X98	308081	LVA-70-14-AS-M14X98	70	M14	126	129	98	28	19	14	14	14000	139	159		
304085	LVA-70-14-M14X148	308085	LVA-70-14-AS-M14X148	70	M14	176	179	148	28	19	14	14	14000	222	242		
304101	LVA-70-14-M16x68	308101	LVA-70-14-AS-M16x68	70	M16	96	99	68	28	19	16	14	14000	140	160		
304105	LVA-70-14-M16x108	308105	LVA-70-14-AS-M16x108	70	M16	136	139	108	28	19	16	14	14000	192	212		
304111	LVA-70-14-M16x148	308111	LVA-70-14-AS-M16x148	70	M16	176	179	148	28	19	16	14	14000	244	264		
304115	LVA-70-14-M16x168	308115	LVA-70-14-AS-M16x168	70	M16	196	199	168	28	19	16	14	14000	270	290		
304121	LVA-80-14-M8x43	308121	LVA-80-14-AS-M8x43	80	M8	76	79	43	33	24	14	14	16000	83	109		
304125	LVA-80-14-M8x68	308125	LVA-80-14-AS-M8x68	80	M8	101	104	68	33	24	14	14	16000	95	121		
304221	LVA-80-14-M10x43	308221	LVA-80-14-AS-M10x43	80	M10	76	79	43	33	24	14	14	16000	92	118		
304225	LVA-80-14-M10x68	308225	LVA-80-14-AS-M10x68	80	M10	101	104	68	33	24	14	14	16000	104	130		
304231	LVA-80-14-M10x98	308231	LVA-80-14-AS-M10x98	80	M10	131	134	98	33	24	14	14	16000	118	144		
304321	LVA-80-14-M12x43	308321	LVA-80-14-AS-M12x43	80	M12	76	79	43	33	24	14	14	16000	102	128		
304325	LVA-80-14-M12x68	308325	LVA-80-14-AS-M12x68	80	M12	101	104	68	33	24	14	14	16000	119	145		
304331	LVA-80-14-M12x98	308331	LVA-80-14-AS-M12x98	80	M12	131	134	98	33	24	14	14	16000	140	166		
304421	LVA-80-14-M14X68	308421	LVA-80-14-AS-M14X68	80	M14	101	104	68	33	24	14	14	16000	141	167		
304431	LVA-80-14-M14X98	308431	LVA-80-14-AS-M14X98	80	M14	131	134	98	33	24	14	14	16000	162	188		
304441	LVA-80-14-M14X148	308441	LVA-80-14-AS-M14X148	80	M14	181	184	148	33	24	14	14	16000	245	271		
304521	LVA-80-14-M16x68	308521	LVA-80-14-AS-M16x68	80	M16	101	104	68	33	24	16	14	16000	163	189		
304525	LVA-80-14-M16x108	308525	LVA-80-14-AS-M16x108	80	M16	141	144	108	33	24	16	14	16000	215	241		
304541	LVA-80-14-M16x148	308541	LVA-80-14-AS-M16x148	80	M16	181	184	148	33	24	16	14	16000	267	293		
304561	LVA-80-14-M16x168	308561	LVA-80-14-AS-M16x168	80	M16	201	204	168	33	24	16	14	16000	293	319		
304621	LVA-80-24-M16x58	308621	LVA-80-24-AS-M16x58	80	M16	101	104	58	43	24	24	24	18000	225	251		
304625	LVA-80-24-M16x98	308625	LVA-80-24-AS-M16x98	80	M16	141	144	98	43	24	24	24	18000	276	302		
304641	LVA-80-24-M16x138	308641	LVA-80-24-AS-M16x138	80	M16	181	184	138	43	24	24	24	18000	326	352		
304661	LVA-80-24-M16x158	308661	LVA-80-24-AS-M16x158	80	M16	201	204	158	43	24	24	24	18000	353	379		
304725	LVA-80-24-M20x98	308725	LVA-80-24-AS-M20x98	80	M20	141	144	98	43	24	24	24	18000	346	372		
304741	LVA-80-24-M20x138	308741	LVA-80-24-AS-M20x138	80	M20	181	184	138	43	24	24	24	18000	425	451		
304761	LVA-80-24-M20x158	308761	LVA-80-24-AS-M20x158	80	M20	201	204	158	43	24	24	24	18000	464	490		
304781	LVA-80-24-M20x198	308781	LVA-80-24-AS-M20x198	80	M20	241	244	198	43	24	24	24	18000	547	573		
304825	LVA-80-24-M24x98	308825	LVA-80-24-AS-M24x98	80	M24	141	144	98	43	24	24	24	18000	444	470		
304861	LVA-80-24-M24x158	308861	LVA-80-24-AS-M24x158	80	M24	201	204	158	43	24	24	24	18000	616	642		
304881	LVA-80-24-M24x198	308881	LVA-80-24-AS-M24x198	80	M24	241	244	198	43	24	24	24	18000	734	760		

* The max static load is the value above which the load applied to the element may cause some plastic material breakage, in particular conditions of use. Obviously, a factor that takes into consideration the importance and the safety level of the specific application must be applied to this value.

Data with no-slip disk mounted.



Levelling elements and supports



LVA

LV.A-AS

Code	Description	Code	Description	D	d	L	L1#	l	l1	h	s	Articulation ∅	Max. limit stati load* [N]	⚖️	⚖️	#
305451	LVA-100-14-M8x43	309451	LV.A-100-14-AS-M8x43	100	M8	76	79	43	33	24	14	14	18000	91	146	
305453	LVA-100-14-M8x68	309453	LV.A-100-14-AS-M8x68	100	M8	101	104	68	33	24	14	14	18000	103	158	
305461	LVA-100-14-M10x43	309461	LV.A-100-14-AS-M10x43	100	M10	76	79	43	33	24	14	14	18000	100	155	
305463	LVA-100-14-M10x68	309463	LV.A-100-14-AS-M10x68	100	M10	101	104	68	33	24	14	14	18000	112	167	
305465	LVA-100-14-M10x98	309465	LV.A-100-14-AS-M10x98	100	M10	131	134	98	33	24	14	14	18000	126	181	
305471	LVA-100-14-M12x43	309471	LV.A-100-14-AS-M12x43	100	M12	76	79	43	33	24	14	14	18000	110	165	
305473	LVA-100-14-M12x68	309473	LV.A-100-14-AS-M12x68	100	M12	101	104	68	33	24	14	14	18000	127	182	
305475	LVA-100-14-M12x98	309475	LV.A-100-14-AS-M12x98	100	M12	131	134	98	33	24	14	14	18000	148	203	
305477	LVA-100-14-M14X68	309477	LV.A-100-14-AS-M14X68	100	M14	101	104	68	33	24	14	14	18000	149	204	
305479	LVA-100-14-M14X98	309479	LV.A-100-14-AS-M14X98	100	M14	131	134	98	33	24	14	14	18000	170	225	
305480	LVA-100-14-M14X148	309480	LV.A-100-14-AS-M14X148	100	M14	181	184	148	33	24	14	14	18000	253	308	
305481	LVA-100-14-M16x68	309481	LV.A-100-14-AS-M16x68	100	M16	101	104	68	33	24	16	14	18000	171	226	
305483	LVA-100-14-M16x108	309483	LV.A-100-14-AS-M16x108	100	M16	141	144	108	33	24	16	14	18000	223	278	
305485	LVA-100-14-M16x148	309485	LV.A-100-14-AS-M16x148	100	M16	181	184	148	33	24	16	14	18000	275	330	
305487	LVA-100-14-M16x168	309487	LV.A-100-14-AS-M16x168	100	M16	201	204	168	33	24	16	14	18000	301	356	
305521	LVA-100-24-M16x58	309521	LV.A-100-24-AS-M16x58	100	M16	101	104	58	43	24	24	24	25000	251	305	
305525	LVA-100-24-M16x98	309525	LV.A-100-24-AS-M16x98	100	M16	141	144	98	43	24	24	24	25000	302	356	
305541	LVA-100-24-M16x138	309541	LV.A-100-24-AS-M16x138	100	M16	181	184	138	43	24	24	24	25000	352	406	
305561	LVA-100-24-M16x158	309561	LV.A-100-24-AS-M16x158	100	M16	201	204	158	43	24	24	24	25000	379	433	
305625	LVA-100-24-M20x98	309625	LV.A-100-24-AS-M20x98	100	M20	141	144	98	43	24	24	24	25000	372	426	
305641	LVA-100-24-M20x138	309641	LV.A-100-24-AS-M20x138	100	M20	181	184	138	43	24	24	24	25000	451	505	
305661	LVA-100-24-M20x158	309661	LV.A-100-24-AS-M20x158	100	M20	201	204	158	43	24	24	24	25000	490	544	
305681	LVA-100-24-M20x198	309681	LV.A-100-24-AS-M20x198	100	M20	241	244	198	43	24	24	24	25000	573	627	
305725	LVA-100-24-M24x98	309725	LV.A-100-24-AS-M24x98	100	M24	141	144	98	43	24	24	24	25000	470	524	
305761	LVA-100-24-M24x158	309761	LV.A-100-24-AS-M24x158	100	M24	201	204	158	43	24	24	24	25000	642	696	
305781	LVA-100-24-M24x198	309781	LV.A-100-24-AS-M24x198	100	M24	241	244	198	43	24	24	24	25000	760	814	
306521	LVA-125-24-M16x58	310221	LV.A-125-24-AS-M16x58	125	M16	125	128	58	67	46	24	24	28000	386	512	
306525	LVA-125-24-M16x98	310225	LV.A-125-24-AS-M16x98	125	M16	165	168	98	67	46	24	24	28000	437	563	
306541	LVA-125-24-M16x138	310241	LV.A-125-24-AS-M16x138	125	M16	205	208	138	67	46	24	24	28000	487	613	
306561	LVA-125-24-M16x158	310261	LV.A-125-24-AS-M16x158	125	M16	225	228	158	67	46	24	24	28000	514	640	
306625	LVA-125-24-M20x98	310325	LV.A-125-24-AS-M20x98	125	M20	165	168	98	67	46	24	24	28000	507	633	
306641	LVA-125-24-M20x138	310341	LV.A-125-24-AS-M20x138	125	M20	205	208	138	67	46	24	24	28000	586	712	
306661	LVA-125-24-M20x158	310361	LV.A-125-24-AS-M20x158	125	M20	225	228	158	67	46	24	24	28000	625	751	
306681	LVA-125-24-M20x198	310381	LV.A-125-24-AS-M20x198	125	M20	265	268	198	67	46	24	24	28000	708	834	
306725	LVA-125-24-M24x98	310425	LV.A-125-24-AS-M24x98	125	M24	165	168	98	67	46	24	24	28000	605	731	
306761	LVA-125-24-M24x158	310461	LV.A-125-24-AS-M24x158	125	M24	225	228	158	67	46	24	24	28000	777	903	
306781	LVA-125-24-M24x198	310481	LV.A-125-24-AS-M24x198	125	M24	265	268	198	67	46	24	24	28000	895	1021	

* The max static load is the value above which the load applied to the element may cause some plastic material breakage, in particular conditions of use. Obviously, a factor that takes into consideration the importance and the safety level of the specific application must be applied to this value.

Data with no-slip disk mounted.