

- 1
- 2
- 3
- 4
- 5
- 6
- 7
- 8
- 9
- 10
- 11
- 12
- 13
- 14
- 15

BASE

Glass-fibre reinforced polyamide based (PA) technopolymer, black colour, matte finish.

ARTICULATED STEM

Threaded AISI 304 stainless steel with regulation hexagon.

STANDARD EXECUTIONS

- **LS.A-SST**: without no-slip disk.
- **LS.A-AS-SST**: with NBR rubber no-slip disk, hardness 70 Shore A, supplied assembled to the base.

FEATURES

The particular assembling system of the no-slip disk to the base assures a perfect anchoring, preventing separation even in case of impact during transport or of adhesion (sticking) to the floor (see No-slip disks on page 835).

ORDER INFORMATION

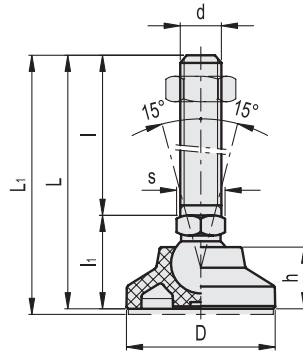
The levelling elements are supplied unassembled to make carriage and storage easier. The components (base and stem) are supplied in separate packing: less volume taken and better protection from scratches and dirt.

To order bases and stems separately, see:

- table of possible combinations Bases/Stems (see page 839)
- the codes of the Bases (see page 836)
- the codes of the Stems (see page 840).

ACCESSORIES ON REQUEST

AISI 304 stainless steel nut (see Nuts NT. on page 835).



LS.A-SST

LS.A-AS-SST

| Code | Description | Code | Description | D | d | L | L# | l | li | h | s | Articulation ° | Max. limit stati load* [N] | ⚖️ | ⚖️ # |
|--------|------------------------|--------|---------------------------|----|-----|-----|-----|-----|----|----|----|-------------------|----------------------------------|-----|------|
| 351121 | LS.A-25-14-SST-M8x43 | 356121 | LS.A-25-14-AS-SST-M8x43 | 25 | M8 | 67 | 70 | 43 | 24 | 12 | 14 | 14 | 5000 | 33 | 35 |
| 351125 | LS.A-25-14-SST-M8x68 | 356125 | LS.A-25-14-AS-SST-M8x68 | 25 | M8 | 92 | 95 | 68 | 24 | 12 | 14 | 14 | 5000 | 43 | 45 |
| 351221 | LS.A-25-14-SST-M10x43 | 356221 | LS.A-25-14-AS-SST-M10x43 | 25 | M10 | 67 | 70 | 43 | 24 | 12 | 14 | 14 | 5000 | 43 | 45 |
| 351225 | LS.A-25-14-SST-M10x68 | 356225 | LS.A-25-14-AS-SST-M10x68 | 25 | M10 | 92 | 95 | 68 | 24 | 12 | 14 | 14 | 5000 | 56 | 58 |
| 351231 | LS.A-25-14-SST-M10x98 | 356231 | LS.A-25-14-AS-SST-M10x98 | 25 | M10 | 122 | 125 | 98 | 24 | 12 | 14 | 14 | 5000 | 70 | 72 |
| 351321 | LS.A-25-14-SST-M12x43 | 356321 | LS.A-25-14-AS-SST-M12x43 | 25 | M12 | 67 | 70 | 43 | 24 | 12 | 14 | 14 | 5000 | 53 | 55 |
| 351325 | LS.A-25-14-SST-M12x68 | 356325 | LS.A-25-14-AS-SST-M12x68 | 25 | M12 | 92 | 95 | 68 | 24 | 12 | 14 | 14 | 5000 | 71 | 73 |
| 351331 | LS.A-25-14-SST-M12x98 | 356331 | LS.A-25-14-AS-SST-M12x98 | 25 | M12 | 122 | 125 | 98 | 24 | 12 | 14 | 14 | 5000 | 93 | 95 |
| 351421 | LS.A-25-14-SST-M14x68 | 356421 | LS.A-25-14-AS-SST-M14x68 | 25 | M14 | 92 | 95 | 68 | 24 | 12 | 14 | 14 | 5000 | 86 | 88 |
| 351431 | LS.A-25-14-SST-M14x98 | 356431 | LS.A-25-14-AS-SST-M14x98 | 25 | M14 | 122 | 125 | 98 | 24 | 12 | 14 | 14 | 5000 | 107 | 109 |
| 351441 | LS.A-25-14-SST-M14X148 | 356441 | LS.A-25-14-AS-SST-M14X148 | 25 | M14 | 172 | 175 | 148 | 24 | 12 | 14 | 14 | 5000 | 190 | 192 |
| 351521 | LS.A-25-14-SST-M16x68 | 356521 | LS.A-25-14-AS-SST-M16x68 | 25 | M16 | 92 | 95 | 68 | 24 | 12 | 16 | 14 | 5000 | 116 | 118 |
| 351525 | LS.A-25-14-SST-M16x108 | 356525 | LS.A-25-14-AS-SST-M16x108 | 25 | M16 | 132 | 135 | 108 | 24 | 12 | 16 | 14 | 5000 | 167 | 169 |
| 351541 | LS.A-25-14-SST-M16x148 | 356541 | LS.A-25-14-AS-SST-M16x148 | 25 | M16 | 172 | 175 | 148 | 24 | 12 | 16 | 14 | 5000 | 220 | 222 |
| 351561 | LS.A-25-14-SST-M16x168 | 356561 | LS.A-25-14-AS-SST-M16x168 | 25 | M16 | 192 | 195 | 168 | 24 | 12 | 16 | 14 | 5000 | 247 | 249 |

* The max static load is the value above which the load applied to the element may cause some plastic material breakage, in particular conditions of use. Obviously, a factor that takes into consideration the importance and the safety level of the specific application must be applied to this value.

Data with no-slip disk mounted.



LS.A-SST

LS.A-AS-SST



| Code | Description | Code | Description | D | d | L | L1# | l | li | h | s | Articulation ∅ | Max. limit stati load* [N] | ⚖️ | ⚖️ # |
|--------|------------------------|--------|---------------------------|----|-----|-----|-----|-----|----|----|----|-------------------|----------------------------------|-----|------|
| 352121 | LS.A-32-14-SST-M8x43 | 357121 | LS.A-32-14-AS-SST-M8x43 | 32 | M8 | 68 | 71 | 43 | 25 | 15 | 14 | 14 | 7000 | 38 | 42 |
| 352125 | LS.A-32-14-SST-M8x68 | 357125 | LS.A-32-14-AS-SST-M8x68 | 32 | M8 | 93 | 96 | 68 | 25 | 15 | 14 | 14 | 7000 | 48 | 52 |
| 352221 | LS.A-32-14-SST-M10x43 | 357221 | LS.A-32-14-AS-SST-M10x43 | 32 | M10 | 68 | 71 | 43 | 25 | 15 | 14 | 14 | 7000 | 48 | 52 |
| 352225 | LS.A-32-14-SST-M10x68 | 357225 | LS.A-32-14-AS-SST-M10x68 | 32 | M10 | 93 | 96 | 68 | 25 | 15 | 14 | 14 | 7000 | 61 | 65 |
| 352231 | LS.A-32-14-SST-M10x98 | 357231 | LS.A-32-14-AS-SST-M10x98 | 32 | M10 | 123 | 126 | 98 | 25 | 15 | 14 | 14 | 7000 | 75 | 79 |
| 352321 | LS.A-32-14-SST-M12x43 | 357321 | LS.A-32-14-AS-SST-M12x43 | 32 | M12 | 68 | 71 | 43 | 25 | 15 | 14 | 14 | 7000 | 58 | 62 |
| 352325 | LS.A-32-14-SST-M12x68 | 357325 | LS.A-32-14-AS-SST-M12x68 | 32 | M12 | 93 | 96 | 68 | 25 | 15 | 14 | 14 | 7000 | 78 | 82 |
| 352331 | LS.A-32-14-SST-M12x98 | 357331 | LS.A-32-14-AS-SST-M12x98 | 32 | M12 | 123 | 126 | 98 | 25 | 15 | 14 | 14 | 7000 | 98 | 102 |
| 352421 | LS.A-32-14-SST-M14X68 | 357421 | LS.A-32-14-AS-SST-M14X68 | 32 | M14 | 93 | 96 | 68 | 25 | 15 | 14 | 14 | 7000 | 95 | 99 |
| 352431 | LS.A-32-14-SST-M14X98 | 357431 | LS.A-32-14-AS-SST-M14X98 | 32 | M14 | 123 | 126 | 98 | 25 | 15 | 14 | 14 | 7000 | 116 | 120 |
| 352441 | LS.A-32-14-SST-M14X148 | 357441 | LS.A-32-14-AS-SST-M14X148 | 32 | M14 | 173 | 176 | 148 | 25 | 15 | 14 | 14 | 7000 | 199 | 203 |
| 352521 | LS.A-32-14-SST-M16x68 | 357521 | LS.A-32-14-AS-SST-M16x68 | 32 | M16 | 93 | 97 | 68 | 25 | 15 | 16 | 14 | 7000 | 121 | 125 |
| 352525 | LS.A-32-14-SST-M16x108 | 357525 | LS.A-32-14-AS-SST-M16x108 | 32 | M16 | 133 | 137 | 108 | 25 | 15 | 16 | 14 | 7000 | 175 | 179 |
| 352541 | LS.A-32-14-SST-M16x148 | 357541 | LS.A-32-14-AS-SST-M16x148 | 32 | M16 | 173 | 176 | 148 | 25 | 15 | 16 | 14 | 7000 | 228 | 232 |
| 352561 | LS.A-32-14-SST-M16x168 | 357561 | LS.A-32-14-AS-SST-M16x168 | 32 | M16 | 193 | 196 | 168 | 25 | 15 | 16 | 14 | 7000 | 255 | 259 |
| 353121 | LS.A-40-14-SST-M8x43 | 358121 | LS.A-40-14-AS-SST-M8x43 | 40 | M8 | 68 | 71 | 43 | 25 | 17 | 14 | 14 | 10000 | 42 | 49 |
| 353125 | LS.A-40-14-SST-M8x68 | 358125 | LS.A-40-14-AS-SST-M8x68 | 40 | M8 | 93 | 96 | 68 | 25 | 17 | 14 | 14 | 10000 | 52 | 59 |
| 353221 | LS.A-40-14-SST-M10x43 | 358221 | LS.A-40-14-AS-SST-M10x43 | 40 | M10 | 68 | 71 | 43 | 25 | 17 | 14 | 14 | 10000 | 52 | 59 |
| 353225 | LS.A-40-14-SST-M10x68 | 358225 | LS.A-40-14-AS-SST-M10x68 | 40 | M10 | 93 | 96 | 68 | 25 | 17 | 14 | 14 | 10000 | 65 | 72 |
| 353231 | LS.A-40-14-SST-M10x98 | 358231 | LS.A-40-14-AS-SST-M10x98 | 40 | M10 | 123 | 126 | 98 | 25 | 17 | 14 | 14 | 10000 | 79 | 86 |
| 353321 | LS.A-40-14-SST-M12x43 | 358321 | LS.A-40-14-AS-SST-M12x43 | 40 | M12 | 68 | 71 | 43 | 25 | 17 | 14 | 14 | 10000 | 62 | 69 |
| 353325 | LS.A-40-14-SST-M12x68 | 358325 | LS.A-40-14-AS-SST-M12x68 | 40 | M12 | 93 | 96 | 68 | 25 | 17 | 14 | 14 | 10000 | 80 | 87 |
| 353331 | LS.A-40-14-SST-M12x98 | 358331 | LS.A-40-14-AS-SST-M12x98 | 40 | M12 | 123 | 126 | 98 | 25 | 17 | 14 | 14 | 10000 | 102 | 109 |
| 353421 | LS.A-40-14-SST-M14X68 | 358421 | LS.A-40-14-AS-SST-M14X68 | 40 | M14 | 93 | 96 | 68 | 25 | 17 | 14 | 14 | 10000 | 95 | 102 |
| 353431 | LS.A-40-14-SST-M14X98 | 358431 | LS.A-40-14-AS-SST-M14X98 | 40 | M14 | 123 | 126 | 98 | 25 | 17 | 14 | 14 | 10000 | 116 | 123 |
| 353441 | LS.A-40-14-SST-M14X148 | 358441 | LS.A-40-14-AS-SST-M14X148 | 40 | M14 | 173 | 176 | 148 | 25 | 17 | 14 | 14 | 10000 | 199 | 206 |
| 353521 | LS.A-40-14-SST-M16x68 | 358521 | LS.A-40-14-AS-SST-M16x68 | 40 | M16 | 93 | 96 | 68 | 25 | 17 | 16 | 14 | 10000 | 125 | 132 |
| 353525 | LS.A-40-14-SST-M16x108 | 358525 | LS.A-40-14-AS-SST-M16x108 | 40 | M16 | 133 | 136 | 108 | 25 | 17 | 16 | 14 | 10000 | 179 | 186 |
| 353541 | LS.A-40-14-SST-M16x148 | 358541 | LS.A-40-14-AS-SST-M16x148 | 40 | M16 | 173 | 176 | 148 | 25 | 17 | 16 | 14 | 10000 | 232 | 239 |
| 353561 | LS.A-40-14-SST-M16x168 | 358561 | LS.A-40-14-AS-SST-M16x168 | 40 | M16 | 193 | 196 | 168 | 25 | 17 | 16 | 14 | 10000 | 259 | 266 |
| 354121 | LS.A-50-14-SST-M8x43 | 359121 | LS.A-50-14-AS-SST-M8x43 | 50 | M8 | 70 | 73 | 43 | 27 | 19 | 14 | 14 | 10000 | 49 | 61 |
| 354125 | LS.A-50-14-SST-M8x68 | 359125 | LS.A-50-14-AS-SST-M8x68 | 50 | M8 | 95 | 98 | 68 | 27 | 19 | 14 | 14 | 10000 | 59 | 71 |
| 354221 | LS.A-50-14-SST-M10x43 | 359221 | LS.A-50-14-AS-SST-M10x43 | 50 | M10 | 70 | 73 | 43 | 27 | 19 | 14 | 14 | 10000 | 59 | 71 |
| 354225 | LS.A-50-14-SST-M10x68 | 359225 | LS.A-50-14-AS-SST-M10x68 | 50 | M10 | 95 | 98 | 68 | 27 | 19 | 14 | 14 | 10000 | 72 | 84 |
| 354231 | LS.A-50-14-SST-M10x98 | 359231 | LS.A-50-14-AS-SST-M10x98 | 50 | M10 | 125 | 128 | 98 | 27 | 19 | 14 | 14 | 10000 | 86 | 98 |
| 354321 | LS.A-50-14-SST-M12x43 | 359321 | LS.A-50-14-AS-SST-M12x43 | 50 | M12 | 70 | 73 | 43 | 27 | 19 | 14 | 14 | 10000 | 69 | 81 |
| 354325 | LS.A-50-14-SST-M12x68 | 359325 | LS.A-50-14-AS-SST-M12x68 | 50 | M12 | 95 | 98 | 68 | 27 | 19 | 14 | 14 | 10000 | 87 | 99 |
| 354331 | LS.A-50-14-SST-M12x98 | 359331 | LS.A-50-14-AS-SST-M12x98 | 50 | M12 | 125 | 128 | 98 | 27 | 19 | 14 | 14 | 10000 | 109 | 121 |
| 354421 | LS.A-50-14-SST-M14X68 | 359421 | LS.A-50-14-AS-SST-M14X68 | 50 | M14 | 95 | 98 | 68 | 27 | 19 | 14 | 14 | 10000 | 102 | 114 |
| 354431 | LS.A-50-14-SST-M14X98 | 359431 | LS.A-50-14-AS-SST-M14X98 | 50 | M14 | 125 | 128 | 98 | 27 | 19 | 14 | 14 | 10000 | 123 | 135 |
| 354441 | LS.A-50-14-SST-M14X148 | 359441 | LS.A-50-14-AS-SST-M14X148 | 50 | M14 | 175 | 178 | 148 | 27 | 19 | 14 | 14 | 10000 | 206 | 218 |
| 354521 | LS.A-50-14-SST-M16x68 | 359521 | LS.A-50-14-AS-SST-M16x68 | 50 | M16 | 95 | 98 | 68 | 27 | 19 | 16 | 14 | 10000 | 132 | 144 |
| 354525 | LS.A-50-14-SST-M16x108 | 359525 | LS.A-50-14-AS-SST-M16x108 | 50 | M16 | 135 | 138 | 108 | 27 | 19 | 16 | 14 | 10000 | 185 | 197 |
| 354541 | LS.A-50-14-SST-M16x148 | 359541 | LS.A-50-14-AS-SST-M16x148 | 50 | M16 | 175 | 178 | 148 | 27 | 19 | 16 | 14 | 10000 | 239 | 251 |
| 354561 | LS.A-50-14-SST-M16x168 | 359561 | LS.A-50-14-AS-SST-M16x168 | 50 | M16 | 195 | 198 | 168 | 27 | 19 | 16 | 14 | 10000 | 266 | 278 |

* The max static load is the value above which the load applied to the element may cause some plastic material breakage, in particular conditions of use. Obviously, a factor that takes into consideration the importance and the safety level of the specific application must be applied to this value.

Data with no-slip disk mounted.