



MATERIAL

High-resilience polypropylene based (PP) technopolymer, coated with "soft-touch" thermoplastic elastomer (TPE) chemically bonded, hardness 70 Shore A, black colour, matte finish.

The coating material is certified in compliance with FDA (U.S. Food and Drug Administration).

CENTRE CAP

Polypropylene based (PP) technopolymer, in Ergostyle colours, matte finish, press-fit assembly.

STANDARD EXECUTION

Brass boss, threaded hole.

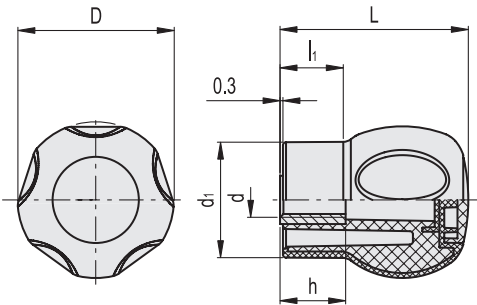
FEATURES AND APPLICATIONS

The coating, with "soft-touch" elastomer, improves the grip even in the presence of oils, greases and sweat from the hand. For this reason it is suitable for fitness machines, tools and machines for gardening and goods transport, high-precision instruments and disability aids.

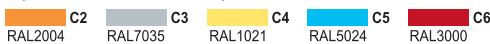
- 1
- 2
- 3
- 4
- 5
- 6
- 7
- 8
- 9
- 10
- 11
- 12
- 13
- 14
- 15



ERGOSTYLE® ELESA Original design



* Complete with colour index, example: 245103-C2 EBK.43 B-M8-C-SOFT-C2



Code	Description	D	L	d6H	d1	h	l1	⚖️
245103-*	EBK.43 B-M8-C-SOFT-*	43	53.5	M8	32.5	10	17.5	72
245105-*	EBK.43 B-M10-C-SOFT-*	43	53.5	M10	32.5	10	17.5	71
245203-*	EBK.50 B-M8-C-SOFT-*	50	60	M8	37	20	20	85
245205-*	EBK.50 B-M10-C-SOFT-*	50	60	M10	37	20	20	82
245207-*	EBK.50 B-M12-C-SOFT-*	50	60	M12	37	20	20	80