

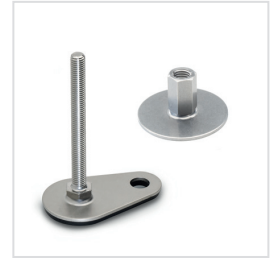
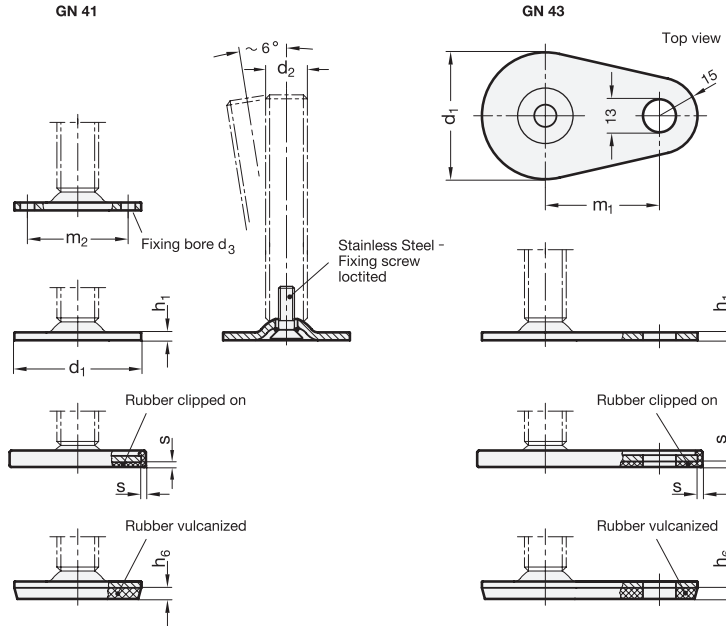
# GN 41

without fixing lug

# GN 43

with fixing lug

# Stainless Steel-Levelling feet



EDDELSTAHL®  
Rostfrei  
Inox  
Stainless  
Steel

#### 4 Type (Base plate)

- B0** without rubber underlay with 2 fixing bores (only GN 41)
- D0** without rubber underlay
- D1** rubber clipped on, black
- D3** rubber vulcanised, black

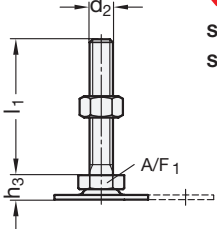
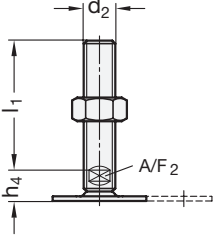
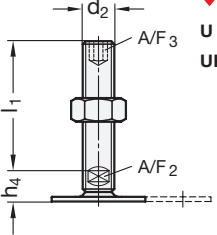
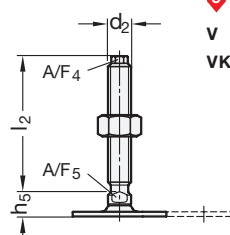
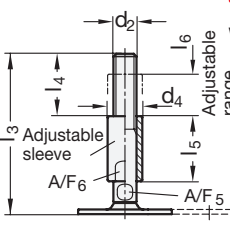
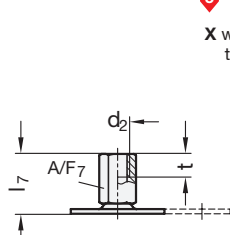
1		2		3		3										3		3								
d <sub>1</sub>	GN 41	d <sub>2</sub>	GN 43	l <sub>1</sub>		Version T / TK und U / UK										l <sub>2</sub>		l <sub>3</sub>		l <sub>7</sub>		A/F <sub>7</sub>	t			
				Version S / SK																						
40	-	M 8	40	50	63	-	-	-	-	-	-	-	-	-	-	-	-	-	-	-	-	-	25	14	8	
40	-	M 10	50	60	80	100	-	-	-	-	-	-	-	-	-	-	-	-	-	-	-	-	28	14	10	
40	-	M 12	60	80	100	125	-	-	-	-	-	-	-	-	-	-	-	-	-	-	-	-	31	17	12	
40*	-	M 16	-	-	-	-	75	100	125	150	200	-	-	-	-	-	-	-	-	-	-	-	37	22	16	
50	50	M 8	40	50	63	-	-	-	-	-	-	-	-	-	-	-	-	-	-	-	-	-	25	14	8	
50	50	M 10	50	60	80	100	-	-	-	-	-	-	-	-	-	-	-	-	-	-	-	-	28	14	10	
50	50	M 12	60	80	100	125	-	-	-	-	-	-	-	-	-	-	-	-	-	-	-	-	32	17	12	
50	50	M 16	-	-	-	-	75	100	125	150	200	-	-	-	-	-	-	-	-	-	-	-	37	22	16	
60	60	M 8	40	50	63	-	-	-	-	-	-	-	-	-	-	-	-	-	-	-	-	-	25	14	8	
60	60	M 10	50	60	80	100	-	-	-	-	-	-	-	-	-	-	-	-	-	-	-	-	28	14	10	
60	60	M 12	60	80	100	125	-	-	-	-	-	-	-	-	-	-	-	-	-	-	-	-	32	17	12	
60	60	M 16	-	-	-	-	75	100	125	150	200	75	100	125	150	110	135	160	185	37	22	16	37	22	16	
80	80	M 8	40	50	63	-	-	-	-	-	-	-	-	-	-	-	-	-	-	-	-	-	26	14	8	
80	80	M 10	50	60	80	100	-	-	-	-	-	-	-	-	-	-	-	-	-	-	-	-	29	14	10	
80	80	M 12	60	80	100	125	-	-	-	-	-	-	-	-	-	-	-	-	-	-	-	-	32	17	12	
80	80	M 16	-	-	-	-	75	100	125	150	200	75	100	125	150	110	135	160	185	38	22	16	38	22	16	
80	80	M 20	-	-	-	-	75	100	125	150	200	100	125	150	200	134	159	184	234	45	27	20	45	27	20	
80	80	M 24	-	-	-	-	100	125	150	200	-	100	150	200	-	159	209	259	-	-	-	-	-	-	-	-

\* not available in type B0

## Specification

- Base plate, blank ground  
Stainless Steel AISI 304
- Threaded stem  
Stainless Steel AISI 303
- Hexagon nut ISO 4032  
Stainless Steel AISI 304
- Rubber cap, clipped on  
black, Santoprene® (TPE)  
80 ≈ Shore A
- Rubber underlay, vulcanised  
black, Perbunan® (NBR)  
70 ± Shore A
- RoHS compliant

**Versions of threaded stem**

 <p><b>S</b> without nut <b>SK</b> with nut</p>	 <p><b>T</b> without nut <b>TK</b> with nut</p>	 <p><b>U</b> without nut <b>UK</b> with nut</p>
External hexagon at the bottom M 8, M 10, M 12	Wrench flat at the bottom M 16, M 20, M 24 „not dipping“ version	Hexagon socket at the top Wrench flat at the bottom M 16, M 20, M 24
 <p><b>V</b> without nut <b>VK</b> with nut</p>	 <p><b>W</b> with adjustable sleeve</p>	 <p><b>X</b> with female thread</p>
External hexagon at the top Wrench flat at the bottom M 16, M 20, M 24	Wrench flat at the bottom M 16, M 20, M 24	External hexagon Female thread M 8, M 10, M 12, M 16, M 20

d <sub>1</sub>		d <sub>2</sub>			d <sub>3</sub>	d <sub>4</sub>	h <sub>1</sub>	h <sub>3</sub>	h <sub>4</sub>	h <sub>5</sub>	h <sub>6</sub>	l <sub>4</sub>	l <sub>5</sub>	l <sub>6</sub>	m <sub>1</sub>	m <sub>2</sub>	s	A/F <sub>1</sub>	A/F <sub>2</sub>	A/F <sub>3</sub>	A/F <sub>4</sub>	A/F <sub>5</sub>	A/F <sub>6</sub>
GN 41	GN 43																						
40	-	M 8	M 10	M 12	5,4	-	2	11	-	-	3,5	-	-	-	-	30	1,5	17	-	-	-	-	-
40	-	M 16	-	-	5,4	-	2	-	17	14	3,5	-	-	-	-	30	1,5	-	12	8	-	-	-
50	50	M 8	M 10	M 12	6,6	-	2,5	11	-	-	4	-	-	-	45	38	2	17	-	-	-	-	-
50	50	M 16	-	-	6,6	-	2,5	-	17	14	4	-	-	-	45	38	2	-	12	8	-	-	-
60	60	M 8	M 10	M 12	6,6	-	2,5	11	-	-	4,5	-	-	-	50	48	2	17	-	-	-	-	-
60	60	M 16	-	-	6,6	24	2,5	-	17	14	4,5	45	45	29	50	48	2	-	12	8	10	12	20
80	80	M 8	M 10	M 12	8,5	-	3	12	-	-	5	-	-	-	70	64	2	17	-	-	-	-	-
80	80	M 16	-	-	8,5	24	3	-	18	15	5	45	45	29	70	64	2	-	12	8	10	12	20
80	80	M 20	-	-	8,5	30	3	-	18	15	5	56	56	37	70	64	2	-	15	10	13	16	24
80	80	M 24	-	-	8,5	35	3	-	21	18	5	67	67	42	70	64	2	-	19	12	17	20	30

**Information**

Stainless Steel-Levelling feet GN 41 / GN 43 are easy and very reasonably priced foot design variants.

The will be delivered mounted and are not removable.

- *Stainless Steel characteristics* → Page 334
- *Elastomer characteristics* → Page 330
- *Load rating information* → Page 234

**Stainless Steel-Levelling foot without fixing lug**

<b>1</b> d <sub>1</sub>
<b>2</b> d <sub>2</sub>
<b>3</b> l <sub>1</sub> (l <sub>2</sub> , l <sub>3</sub> , l <sub>7</sub> )
<b>4</b> Type (Base plate)
<b>5</b> Version (Stem)


  
**GN41-80-M16-75-D0-TK**

**Stainless Steel-Levelling foot with fixing lug**

<b>1</b> d <sub>1</sub>
<b>2</b> d <sub>2</sub>
<b>3</b> l <sub>1</sub>
<b>4</b> Type (Base plate)
<b>5</b> Version (Stem)


  
**GN43-50-M12-32-D3-X**