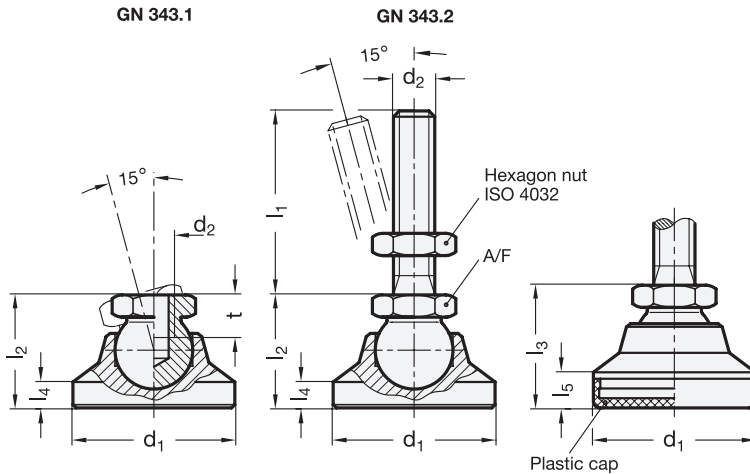




**4 Type**

- OS** without plastic cap
- KS** with plastic cap, gliding
- KR** with plastic cap, non-gliding
- KSE** with plastic cap, gliding, electrically conductive (antistatic)
- KRE** with plastic cap, non-gliding, electrically conductive (antistatic)



1

2

2

3

d <sub>1</sub>	d <sub>2</sub> GN 343.1	d <sub>2</sub> GN 343.2	l <sub>1</sub>			l <sub>2</sub>	l <sub>3</sub>	l <sub>4</sub>	l <sub>5</sub>	A/F	t min.	Static load in kN for GN 343.2 (see Information)
25	M 6	M 6	40	50	63	19	20,5	4	5,5	12	9	7,5
25	M 8	M 8	40	50	63	19	20,5	4	5,5	12	9	14
25	-	M 10	50	63	80	19	20,5	4	5,5	12	-	23
32	M 8	M 8	40	50	63	23	24,5	5	6,5	12	9	14
32	M 10	M 10	50	63	80	23	24,5	5	6,5	15	10,5	23
32	-	M 12	63	80	100	23	24,5	5	6,5	15	-	33
40	-	M 8	50	63	80	26	27,5	6	7,5	15	-	14
40	M 10	M 10	50	63	80	26	27,5	6	7,5	15	10,5	23
40	M 12	M 12	63	80	100	26	27,5	6	7,5	17	11,5	33
50	-	M 8	50	63	80	28	29,5	7	8,5	15	-	14
50	M 10	M 10	50	63	80	28	29,5	7	8,5	15	10,5	23
50	M 12	M 12	63	80	100	28	29,5	7	8,5	17	11,5	33
50	-	M 16	63	80	100	28	29,5	7	8,5	17	-	40
60	-	M 10	50	63	80	36	37,5	8,5	10	17	-	23
60	M 12	M 12	63	80	100	36	37,5	8,5	10	17	11,5	33
60	M 16	M 16	80	100	125	36	37,5	8,5	10	24	16	62
60	-	M 20	98	138	158	36	37,5	8,5	10	24	-	95
60	-	M 24	98	138	158	36	37,5	8,5	10	24	-	95



### Specification

- Steel  
Tensile strength class 5.8 (500 N/mm<sup>2</sup>)  
zinc plated, blue passivated
- Type **KS / KSE**  
Plastic cap  
Polyacetal (POM)  
- KS: white (natural colour) RAL 9001  
- KSE: black, electrically conductive  
Surface resistivity: < 10<sup>6</sup> Ω  
Volume resistivity: < 10<sup>7</sup> Ω  
DIN EN 61340-5-1 / 61340-2-3
- Type **KR / KRE**  
Plastic cap  
Elastomer (TPE), 78 Shore A ≈  
- KR: black  
- KRE: black, electrically conductive  
Surface resistivity: < 10<sup>6</sup> Ω  
Volume resistivity: < 10<sup>7</sup> Ω  
DIN EN 61340-5-1 / 61340-2-3
- Hexagon nut ISO 4032  
Steel  
zinc plated, blue passivated
- *Plastic characteristics* → Page 1141
- *Stainless Steel characteristics* → Page 1144
- **RoHS compliant**

### Information

The static load of the levelling feet GN 343.1 / GN 343.2 is limited by the load capacity of the ball joint / threaded stud (tensile strength class 5.8 (500 N/mm<sup>2</sup>)).

The static load values (only valid for Type OS / KS) in the above table refer to a net vertical load in relation to the levelling foot. Under normal operating conditions side loading or angular loading is not uncommon and the load capacity would be considerably reduced which must be taken into consideration.

Levelling feet GN 343.1 / GN 343.2 cannot be disassembled.

see also...

- *Levelling feet GN 343.3 / GN 343.4*  
(Foot plastic, female thread / threaded stud steel) → Page 813
- *Levelling feet GN 343.7 / GN 343.8*  
(Foot plastic, female thread / threaded stud St. Steel) → Page 815
- *Stainless Steel-Levelling feet GN 343.5 / GN 343.6* → Page 814
- *Levelling feet GN 342.1 / GN 342.2 (with vibration damping)* → Page 820
- *Insert bushings GN 448 (for tubes)* → New products

Levelling foot with female thread  <b>GN 343.1-50-M12-OS</b>	1	d <sub>1</sub>
	2	d <sub>2</sub>
	4	Type

Levelling foot with threaded stud  <b>GN 343.2-32-M10-50-KR</b>	1	d <sub>1</sub>
	2	d <sub>2</sub>
	3	l <sub>1</sub>
	4	Type