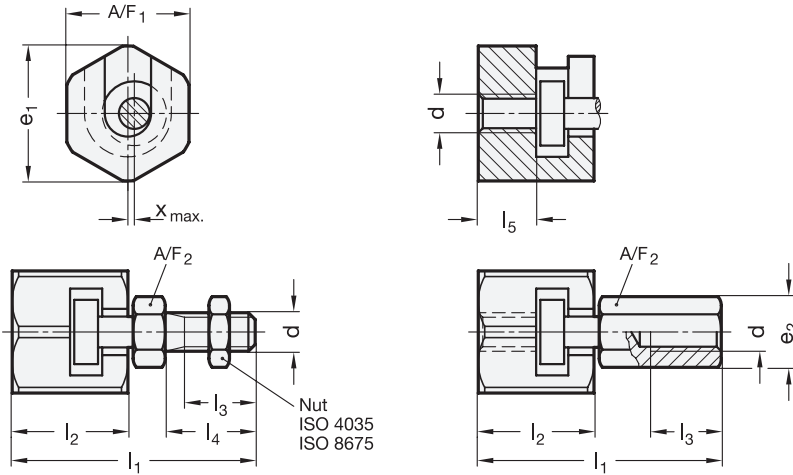




2 Type

- A** with male thread
- B** with female thread



1

d		e ₁	e ₂ ≈	l ₁ ≈	l ₂	l ₃ min.	l ₄	l ₅ +1	A/F ₁	A/F ₂	x max. shaft off-set	max. pull- /push load in kN
M 6	-	21	11	37,5	18	11	14	9	19	10	0,6	2,5
M 8	-	26	14,5	45	22,5	13,5	17	11,5	24	13	0,7	4,5
M 10	M 10 x 1,25	30	19	56	29	16	20	16	27	17	0,7	6,5
M 12	M 12 x 1,25	32,5	21	66,5	34	21	25	17	30	19	0,8	10
M 16	M 16 x 1,5	39	27	83	42	25	30	23	36	24	1	18
M 20	M 20 x 1,5	44	34	93,5	45,5	29	35	23,5	41	30	1	30

Specification

- Steel
 - tempered
 - phosphated
- RoHS compliant

Information

Quick-fit couplings GN 240 have been designed for the purpose of compensating a radial shaft off-set x. A typical application is the axial link to a piston rod of a cylinder operating in any type of fixture or system.

The coupling is **not** designed for the transfer of torque.

see also...

- Quick-fit couplings GN 240.1 (with radial off-set compensation) → Page 962
- Quick-fit couplings GN 240.2 (with angle- and radial off set compensation) → Page 963

How to order

GN240-M20x1,5-A

1 d

2 Type