

ROSTFREI  
Inox  
Stainless  
Steel

**3 Type**

- A** with tapped hole  $d_3$  in the centre, with two countersunk holes for socket head cap screws
- B** with bore  $d_4$  in the centre, with two countersunk holes for socket head cap screws
- C** with tapped hole  $d_3$  in the centre, with two tapped mounting holes
- D** with bore  $d_4$  in the centre, with two tapped mounting holes
- E** without bores blank, not hardened

**1** **2**

$d_1$	$z$ Number of teeth	$d_2$	$d_3$	$d_4$	$d_5$	$d_6$	$d_7$	$h_1 \pm 0,09$ middle of the teeth	$h_2$ (2 x $h_1$ )	$m_1$	$m_2$	$w$ min. Stroke	
22	48	60	15,5	M 4	4,2	3,2	M 3	3	6,5	13	12	12	0,6
27	48	60	19,5	M 5	5,2	4,3	M 4	4	7,5	15	15	15	0,7
32	48	60	23,5	M 6	6,2	5,3	M 5	5	9	18	18	18	0,9
40	48	60	30	M 8	8,2	6,3	M 6	6	11,5	23	23	23	1,3

**Specification**

- Sintered Steel **ST** hardened, black oxidised with vapor
- Stainless Steel (Sintered Steel) **NI** AISI 316L
- *Stainless Steel characteristics* → Page 1489
- **RoHS compliant**

**Accessory**

- Guide pots GN 187.1 → Page 826
- Thrust springs GN 187.2 → Page 827

**4**

**Information**

With the aid of serrated locking plates GN 187.4 standard components can be interlocked and firmly set at a defined angle.

The angular position of the fixing bores in relation to the serrations is not defined in the standard design. The exact positioning is available as special design.

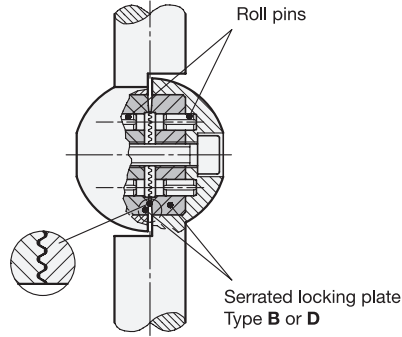
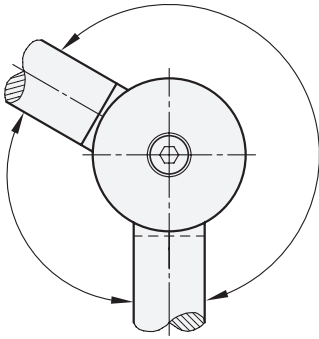
The range of designs makes these plates adaptable for almost any application in this particular field. To complement these serrated locking plates, accessories such as guide pots GN 187.1 and thrust springs GN 187.2 are useful additional standard parts.

**How to order**

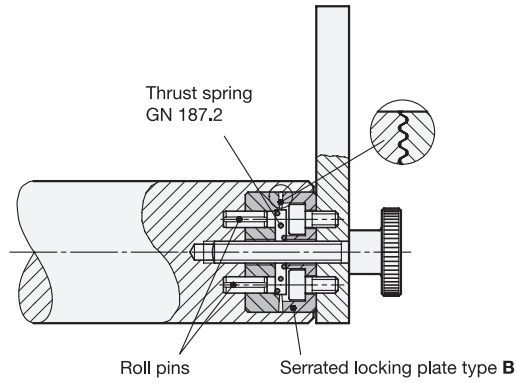
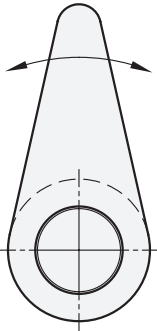
**GN 187.4-27-48-C-ST**

<b>1</b>	$d_1$
<b>2</b>	Number of teeth $z$
<b>3</b>	Type
<b>4</b>	Material

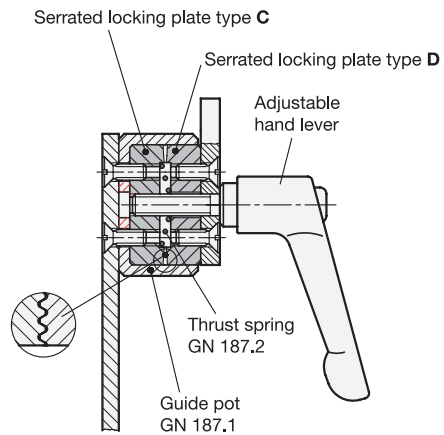
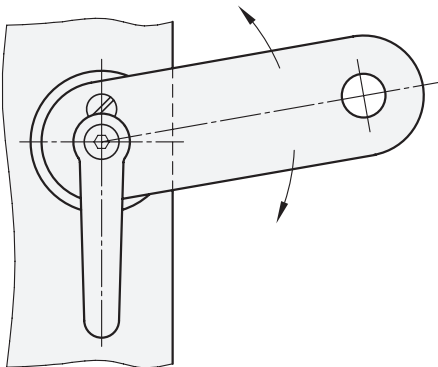
Connection of two joint rods



Connection cam / shaft



Adjustable sheetmetal link



3.1

3.2

3.3

3.4

3.5

3.6

3.7

3.8

3.9

