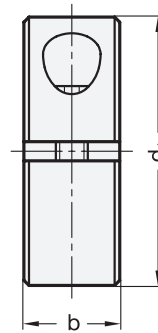
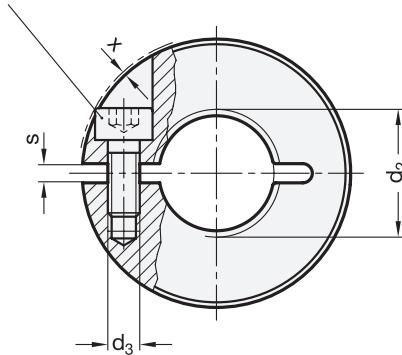




Socket head cap screw DIN 912



2.1

2.2

2.3

2.4

d₁	d₂ Thread 6H		b	d₃	s	x ≈ max. protrusion of cap screw
20	M 8	M 8 x 1	9	M 3	2,1	1
22	M 10	M 10 x 1	9	M 3	2,1	0,8
26	M 12	M 12 x 1,5	11	M 4	2,1	1,6
32	M 16	M 16 x 1,5	11	M 4	2,1	0,7
42	M 20	M 20 x 1,5	15	M 5	3	0,6
48	-	M 24 x 1,5	15	M 5	3	0
55	-	M 30 x 1,5	15	M 6	3	0,4

2.5

2.6

Specification

- **Steel** **ST**
 - Sintered Steel (Distaloy AB) black oxidised with vapor
 - Socket head cap screw DIN 912 Steel, blank
- **Stainless Steel (Sintered Steel)** **NI**
 - AISI 316L
 - Socket head cap screw DIN 912 Stainless Steel AISI 304
- *Metric ISO thread → Page 1134*
- *Stainless Steel characteristics → Page 1144*
- **RoHS compliant**

3

Information

Threaded set collars GN 706.3 can be used in connection with bolt thread tolerance 6g. After clamping, the thread of the semi-split set collar may no longer be tolerance-stable (6H).

The thread d₃ for sizes d₁ = 20 to 36 is designed as a through hole, from size d₁ = 42 it is designed as blind hole.

2.7

2.8

2.9

Steel-Threaded set collar	1	d ₁
GN 706.3-32-M16-ST	2	d ₂
	3	Material

Stainless Steel-Threaded set collar	1	d ₁
GN 706.3-42-M20x1,5-NI	2	d ₂
	3	Material

