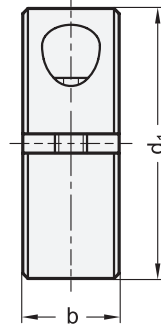
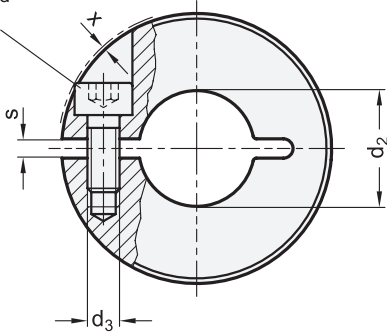


Socket head cap screw  
DIN 912



**Rostfrei**  
Inox  
Stainless  
Steel

| <b>d<sub>1</sub></b> | <b>d<sub>2</sub></b><br>H10 for ST, NI, AL<br>E8 for A4<br>recommended shaft tolerance h11 |      | <b>b ±0,2</b> | <b>d<sub>3</sub></b> | <b>s</b><br>ST, NI, AL | A4  | <b>x ≈</b><br>max. protrusion<br>of cap thread |
|----------------------|--|------|---------------|----------------------|------------------------|-----|--|
| 20                   | B 6  | -    | 9             | M 3                  | 2,1                    | 1,6 | 1,2  |
| 22                   | B 8  | -    | 9             | M 3                  | 2,1                    | 1,6 | 1  |
| 26                   | B 10   | -    | 11            | M 4                  | 2,1                    | 1,6 | 1,6  |
| 30                   | B 12   | -    | 11            | M 4                  | 2,1                    | 1,6 | 0,7  |
| 32                   | B 14   | -    | 11            | M 4                  | 2,1                    | 1,6 | 0,7  |
| 36                   | B 15   | B 16 | 13            | M 5                  | 2,1                    | 1,6 | 1,4  |
| 42                   | B 18   | B 20 | 15            | M 5                  | 3                      | 1,6 | 0,6  |
| 48                   | B 22   | B 25 | 15            | M 5                  | 3                      | 1,6 | 0  |
| 55                   | B 28   | B 30 | 15            | M 6                  | 3                      | 1,6 | 0,5  |
| 60                   | B 32   | B 35 | 15            | M 6                  | 4                      | 1,6 | 0,4  |
| 65                   | B 40   | -    | 15            | M 6                  | 4                      | 1,6 | 0,5  |

**Specification**

- **Steel** **ST**
  - Sintered Steel (Distaloy AB) black oxidised with vapor
  - Socket head cap screw DIN 912 Steel, blank
- **Stainless Steel** **NI**
  - Sintered Steel AISI 316 LHC
  - Socket head cap screw DIN 912-A2
- **Aluminium** **AL**
  - Turned version AISI 316 weldable
  - Socket head cap screw DIN 912-A4
- **Aluminium** **AL**
  - ground
  - Socket head cap screw DIN 912-A2
- **ISO-Fundamental Tolerances** → Page 323
- **Stainless Steel characteristics** → Page 334
- **RoHS compliant**

**3**

**Information**

Semi-split set collars GN 706.2 can safely and simply be assembled i. e. with high clamping force without damaging the surface of the shaft.

For size d<sub>1</sub> = 20 to 36 d<sub>3</sub> is a through hole; starting from d<sub>1</sub> = 42 d<sub>3</sub> is a threaded blind bore.

These set collars not only serve as an end stop, but they can also be used for fixing or triggering other components such as end limit switches.

|                             |                         |
|-----------------------------|-------------------------|
| Steel-Semi-split set collar | <b>1</b> d <sub>1</sub> |
| <b>GN 706.2-36-B16-ST</b>   | <b>2</b> d <sub>2</sub> |
|                             | <b>3</b> Material       |

|                                       |                         |
|---------------------------------------|-------------------------|
| Stainless Steel-Semi-split set collar | <b>1</b> d <sub>1</sub> |
| <b>GN 706.2-55-B28-NI</b>             | <b>2</b> d <sub>2</sub> |
|                                       | <b>3</b> Material       |