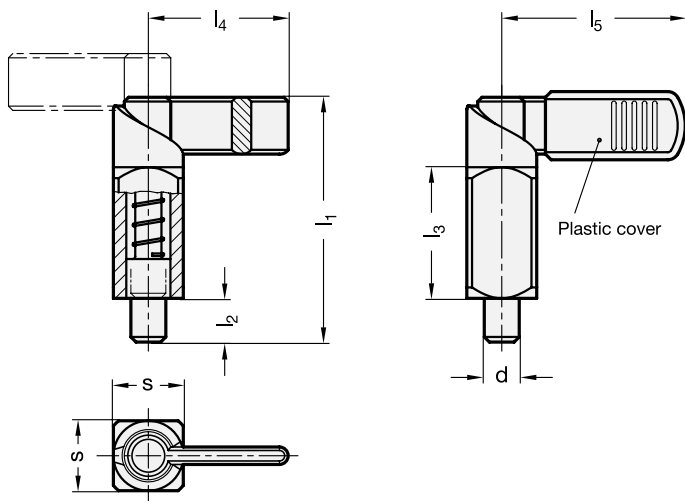


GN 612.3

Steel / Stainless Steel

Cam action indexing plungers

for welding



Rost frei®
Inox
Stainless
Steel

3 Type

- A without plastic cover
- B with plastic cover

1

2

d Plunger Bore	s	l ₁	l ₂	l ₃	l ₄	l ₅	Spring load in N ≈	
<small>-0.02 -0.04 +0.14 +0.1</small>							initial	end
6	16	56	10	30	32	42	12	32
8	16	56	10	30	32	42	12	32
8	20	69	12	38	37	52	21	58
10	16	56	10	30	32	42	12	32
10	20	69	12	38	37	52	21	58
12	20	69	12	38	37	52	21	58

Specification

- Steel —
- Guide blackened, weldable
- Plunger nitrided
- Stainless Steel NI
- Guide, weldable AISI 304
- Plunger AISI 303
- Spring
- Stainless Steel AISI 301
- Plastic cover (Polyamide PA)
- black, matt
- ISO-Fundamental Tolerances → Page 323
- RoHS compliant

4

Information

Cam action indexing plungers GN 612.3 are used in cases where the locking pin must not protrude all the time. By rotating the lock through 180° the locking pin withdraws itself. A notch keeps the plunger in this position.

The square body can therefore be welded in any required position. In order to prevent a change in the spring load by the transferred heat we recommend spot welding the plunger body.

see also...

- Range of cam action indexing plungers → Main Catalogue Page 412/415
- Positioning bushings GN 412.2 → Main Catalogue Page 454

Cam action indexing plunger with Steel plunger	1 d
GN 612.3-10-16-A	2 s
	3 Type

Stainless Steel-Cam action indexing plunger	1 d
GN 612.3-8-20-B-NI	2 s
	3 Type
	4 Material