

- 1
- 2
- 3
- 4
- 5
- 6
- 7
- 8
- 9
- 10
- 11
- 12
- 13
- 14
- 15
- RH

## MATERIAL

Glass-fibre reinforced polypropylene based (PP) technopolymer, grey-black colour, matte finish.

## REVOLVING HANDLE

IEL+x-SOFT (see page 377) in technopolymer coated with "soft-touch" thermoplastic elastomer (TPE), black colour, matte finish.

## STANDARD EXECUTION

Black-oxide steel hub, H7 reamed hole.  
Rear flange with internal crown gear wheel in acetal resin based (POM) technopolymer. Black-oxide steel screw and anchor pin.

## FEATURES AND APPLICATIONS

This steering handwheel has been designed to be mounted on control shafts of machines or equipment and especially for guiding lift trucks and handling vehicles.

## ERGONOMY AND DESIGN

The lowered profile of the steering handwheel makes it suitable for flush mounting on the control panel, thus reducing protruding parts to a minimum.

## INDICATOR CHOICE (TO BE ORDERED SEPARATELY)

The steering handwheel can be used with a position indicator type PA02 (see page 469), PA12 (see page 470) or PW12 (see page 471) to read steering positions.  
See also "Assembly instructions" for positive drive indicators (on page 462).

## ACCESSORIES ON REQUEST

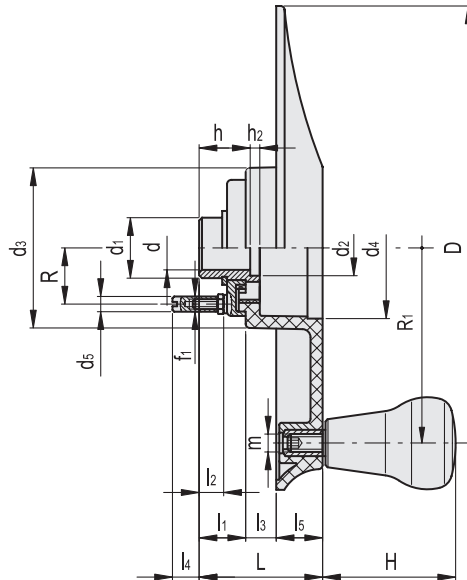
- Axial retaining washer type GN 184 (see page 677).
- Cover CP-XX (see page 484) for fitting instead of the indicator.

## SPECIAL EXECUTIONS ON REQUEST

EWV-XX steering handwheel is suitable also for using with gravity indicators.



ERGOSTYLE® ELESA Original design



Code	Description	D	L	dH7	h	d1	d2	d3	d4	d5	f1	h2	l1	l2	l3	l4	l5	H	m	R	R1	△
208141-C0	EWV.240-PXX2+IEL-A20-C0	240	59	20	24	30	25.5	79	68.5	6	M4	4	21	13	15	13	23	65	M10	28.5	97	810

Position indicators