

d_1 h7	d_2 Thread depth	d_3 for cap screws DIN 912	d_4 H7 Bore depth	d_5	h	l_1	l_2	m_1	m_2	$m_3 \pm 0,02$	useable for mounting plates GN 900.4
55	M 5 - 8	4,3 M 4	4 - 10	17	38	17,5	44	32	42	20	Size 50
80	M 5 - 8	5,4 M 5	4 - 10	23	45	24	59	40	60	30	Size 80 and 120

Specification

- Rotary disc
Stainless Steel AISI 303
- all other parts
Steel (some zinc plated)
ad/or Brass
- Control knob
Aluminium
black anodized
- ISO-Fundamental Tolerances → Page 1132
- Stainless Steel characteristics → Page 1144
- RoHS compliant

Information

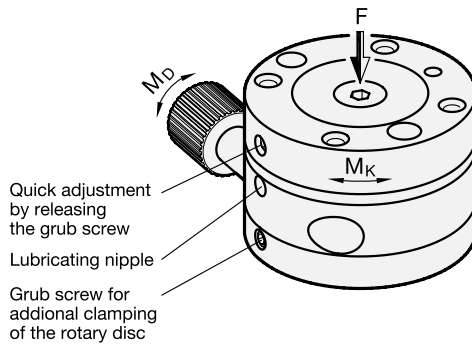
Rotary tables GN 900.6 is a turning unit for manual operation. To get the turning movement we use a high quality worm gear.

The rotary table is also fitted with a fastadjustment and for this purpose a grub screw on the side of the rotary disc has to be released. In addition the rotary disc can also be clamped via an easily accessible grub screw. In both cases internal conically shaped arresting components come into use.

see also...

- Adjustable slide units GN 900 → Page 366
- Mounting plates GN 900.4
(for clamping to an adjustable slide unit) → Page 372

How to order	1 d_1
GN 900.6-55	



d_1	Rotating range	Concentricity tolerance	circular runout tolerance	max. entry torque M_D	max. load capacity of rotary disc unclamped	max. load capacity of rotary disc clamped M_K	F max. in Newton
55	$0^\circ \infty$	$\pm 0,02$	$\pm 0,02$	1,5 Nm	5 Nm	10 Nm	50
80	$0^\circ \infty$	$\pm 0,03$	$\pm 0,03$	2,5 Nm	5 Nm	10 Nm	100

1.1
1.2
1.3
1.4
1.5
1.6
1.7
1.8
1.9

