

**MATERIAL**

Glass-fibre reinforced polyamide based (PA) technopolymer, grey-black colour, matte finish.

**BOSS CAP**

Technopolymer in the Ergostyle colours, matte finish. Supplied, push-fit assembly, removable by a screwdriver.

Available also as accessory sold separately (see table ECB.).

Code	Description	Boss cap for
29553-*	ECB.T3-*	ELCR.118

\* Complete with colour index (C1, ..., C6).

**STANDARD EXECUTION**

Black-oxide steel boss, H7 reamed hole.

**FEATURES AND APPLICATIONS**

Control levers ELCR. have a straight lever, parallel to the clamping surface. Particularly suitable when the lever turning angle is limited owing to lack of space.

**ERGONOMY**

Rotations are performed smoothly and powerfully thanks to the heavy-duty arm of the lever, while the enlarged end offers an effective grip.

**MANOEUVRE ANGLE LIMITATION**

A limited manoeuvre angle is possible by fitting stop pins in the rear guide slot.

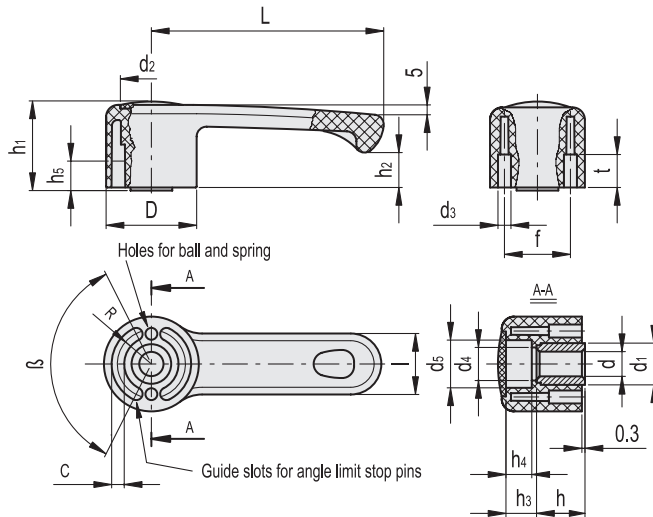
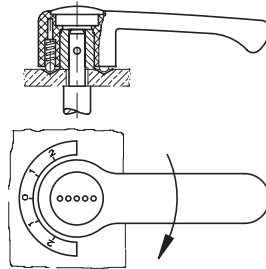
**ACCESSORIES ON REQUEST**

- Axial retaining washer GN 184 (see page 677).
- Ball and spring for clicking operation to be fitted into the two holes d3 drilled at 180° (see ball and spring MS. on page 449).



ERGOSTYLE® ELESAs Original design

Assembly example  
by means of ball and spring  
for clicking operation



\* Complete with colour index, example: 212241-C2 ELCR.118 A-12-C2

- C1 RAL7021
- C2 RAL2004
- C3 RAL7035
- C4 RAL1021
- C5 RAL5024
- C6 RAL3000

Code	Description	D	dH7	L	h	h1	h2	h3	h4	h5	d1	d2	d3	d4	d5	l	R	t	c	β	f	Δ
212241-*	ELCR.118 A-12-*	46	12	118	22	44	18.5	19	17	10	22	31.5	6	17	25.5	29	17.5	15.5	6.5	125±1°	32	135



Control elements