

MATERIAL

Glass-fibre reinforced polyamide based (PA) technopolymer, grey-black colour, matte finish.

BOSS CAP

Technopolymer, matte finish, push-fit assembly, removable by a screwdriver, included in the supply.

Available also as accessory sold separately (see table ECB.).

Code	Description	Boss cap for
29551-*	ECB.T1-*	ELC.67
29552-*	ECB.T2-*	ELC.85
29553-*	ECB.T3-*	ELC.110
29554-*	ECB.T4-*	ELC.140

* Complete with colour index (C1, ..., C6).

STANDARD EXECUTIONS

- **ELC**: black-oxide steel boss, H7 reamed hole, cap in the Ergostyle colours.
- **ELC-FC3**: black-oxide steel boss, H7 reamed hole, cap in RAL 7035 light grey colour, with arrow indicator.
- **ELC-SST**: AISI 303 stainless steel boss, H7 reamed hole, cap in the Ergostyle colours.
- **ELC-SST-FC3**: AISI 303 stainless steel boss, H7 reamed hole, cap in RAL 7035 light grey colour, with arrow indicator.

ERGONOMY

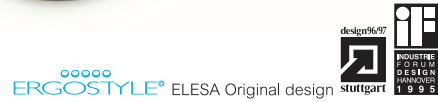
Rotations are performed smoothly and powerfully thanks to the heavy-duty arm of the lever, while the enlarged and sunken semispherical end offers an effective grip.

MANOEUVRE ANGLE LIMITATION

A limited manoeuvre angle is possible by fitting stop pins in the rear guide slot.

ACCESSORIES ON REQUEST

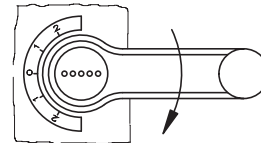
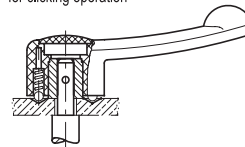
- Axial retaining washer GN 184 (see page 677).
- Ball and spring for clicking operation to be fitted into the two holes d3 drilled at 180° (see ball and spring MS. on page 449).

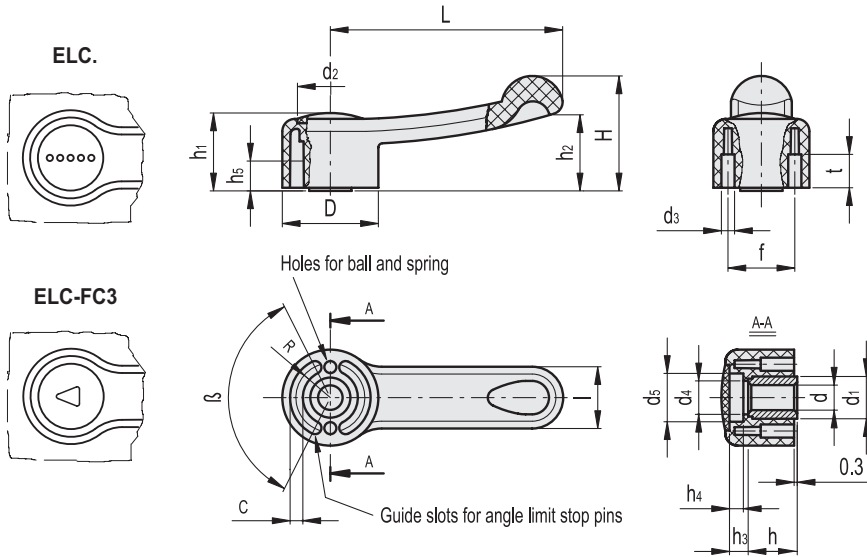


ERGOSTYLE® ELESA Original design

Assembly example

by means of ball and spring for clicking operation





* Complete with colour index, example: 212121-C2 ELC.67 A-6-C2

- C1**
RAL7021
- C2**
RAL2004
- C3**
RAL7035
- C4**
RAL1021
- C5**
RAL5024
- C6**
RAL3000

ELC.

Code	Description	D	dh7	L	H	h	h1	h2	h3	h4	h5	d1	d2	d3	d4	d5	l	R	t	c	β	f	Δ
212121-*	ELC.67 A-6-*	32	6	67	35	16	24	24	5	3	10	15	22.5	4	10	16	20	12	9	4	125±1°	24	50
212131-*	ELC.85 A-8-*	37	8	85	41	17.5	27	27	7.5	5	10	18	26	5	13.5	20	23	13.8	12.5	4.3	125±1°	26	63
212141-*	ELC.110 A-12-*	46	12	110	54	22	35	36	10	8	10	22	31.5	6	17	25.5	29	17.5	15.5	6.5	125±1°	32	129
212151-*	ELC.140 A-14-*	54	14	140	60	27	38	38	8.5	6	10	26	36	8	21	31	34	20.2	16	7	125±1°	39	145

ELC-FC3

Code	Description	D	dh7	L	H	h	h1	h2	h3	h4	h5	d1	d2	d3	d4	d5	l	R	t	c	β	f	Δ
212121-FC3	ELC.67 A-6-FC3	32	6	67	35	16	24	24	5	3	10	15	22.5	4	10	16	20	12	9	4	125±1°	24	50
212131-FC3	ELC.85 A-8-FC3	37	8	85	41	17.5	27	27	7.5	5	10	18	26	5	13.5	20	23	13.8	12.5	4.3	125±1°	26	63
212141-FC3	ELC.110 A-12-FC3	46	12	110	54	22	35	36	10	8	10	22	31.5	6	17	25.5	29	17.5	15.5	6.5	125±1°	32	129
212151-FC3	ELC.140 A-14-FC3	54	14	140	60	27	38	38	8.5	6	10	26	36	8	21	31	34	20.2	16	7	125±1°	39	145

ELC-SST



Code	Description	D	dh7	L	H	h	h1	h2	h3	h4	h5	d1	d2	d3	d4	d5	l	R	t	c	β	f	Δ
212161-*	ELC.67-SST-6-*	32	6	67	35	16	24	24	5	3	10	15	22.5	4	10	16	20	12	9	4	125±1°	24	50
212171-*	ELC.85-SST-8-*	37	8	85	41	17.5	27	27	7.5	5	10	18	26	5	13.5	20	23	13.8	12.5	4.3	125±1°	26	63
212181-*	ELC.110-SST-12-*	46	12	110	54	22	35	36	10	8	10	22	31.5	6	17	25.5	29	17.5	15.5	6.5	125±1°	32	129
212191-*	ELC.140-SST-14-*	54	14	140	60	27	38	38	8.5	6	10	26	36	8	21	31	34	20.2	16	7	125±1°	39	145

ELC-SST-FC3

Code	Description	D	dh7	L	H	h	h1	h2	h3	h4	h5	d1	d2	d3	d4	d5	l	R	t	c	β	f	Δ
212161-FC3	ELC.67-SST-6-FC3	32	6	67	35	16	24	24	5	3	10	15	22.5	4	10	16	20	12	9	4	125±1°	24	50
212171-FC3	ELC.85-SST-8-FC3	37	8	85	41	17.5	27	27	7.5	5	10	18	26	5	13.5	20	23	13.8	12.5	4.3	125±1°	26	63
212181-FC3	ELC.110-SST-12-FC3	46	12	110	54	22	35	36	10	8	10	22	31.5	6	17	25.5	29	17.5	15.5	6.5	125±1°	32	129
212191-FC3	ELC.140-SST-14-FC3	54	14	140	60	27	38	38	8.5	6	10	26	36	8	21	31	34	20.2	16	7	125±1°	39	145