

MBT+I | Diamond cut knurled control knobs

with revolving handle, technopolymer



- 1
- 2
- 3
- 4
- 5
- 6
- 7
- 8
- 9
- 10
- 11
- 12
- 13
- 14
- 15
- RH
-

MATERIAL

High-resilience polypropylene based (PP) technopolymer, black colour, matte finish.

COLOURED CENTRE CAP

Technopolymer, matte finish.

To order, add the index of the desired colour (C9, ..., C6) to the code and the description.

Technopolymer, matte finish. Not available for VCT.25.

REVOLVING HANDLE

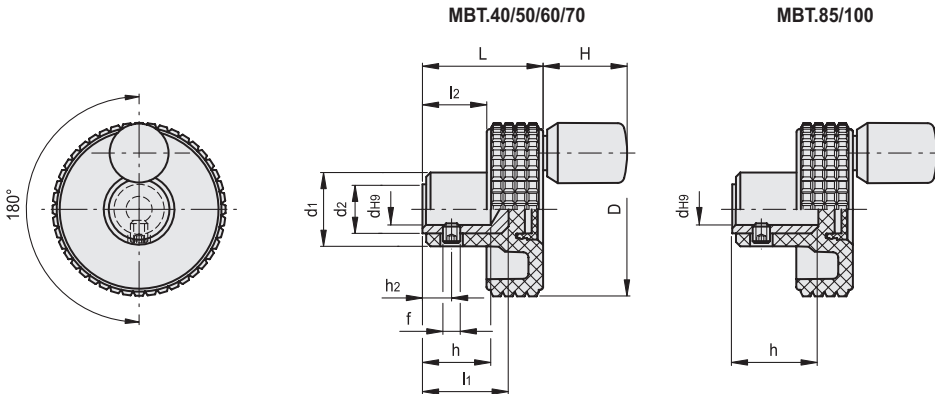
I.701+x (see page 407) in technopolymer.

STANDARD EXECUTION

Brass boss, plain hole. Assembly by means of a supplied transversal grub screw UNI 5929-85 (grub screw with hexagon socket and cup end).



ELESA Original design



* Complete with colour index, example: 34398-C2 MBT.40+I B-6-C2

- C9 RAL9005
- C2 RAL2004
- C3 RAL7035
- C4 RAL1021
- C5 RAL5024
- C6 RAL3000

Code	Description	D	dh9	L	l1	l2	d1	d2	h	h2	f	H	
34398-*	MBT.40+I B-6-*	39.5	6	26.5	17	12.5	17	12	14	4	M4	20	34
34498-*	MBT.50+I B-6-*	50	6	33	23	16	20	15	18	5	M5	20	54
34598-*	MBT.60+I B-8-*	61	8	39	25	18.5	23	15	20	6	M5	23	65
34698-*	MBT.70+I B-10-*	70	10	42	30	20.5	24	16	25	6	M5	23	73
34798-*	MBT.85+I B-10-*	85	10	30.5	-	10.5	29	16	22	6	M5	23	84
34898-*	MBT.100+I B-10-*	100	10	31	-	11	35	16	22	6	M5	23	102

Clamping knobs