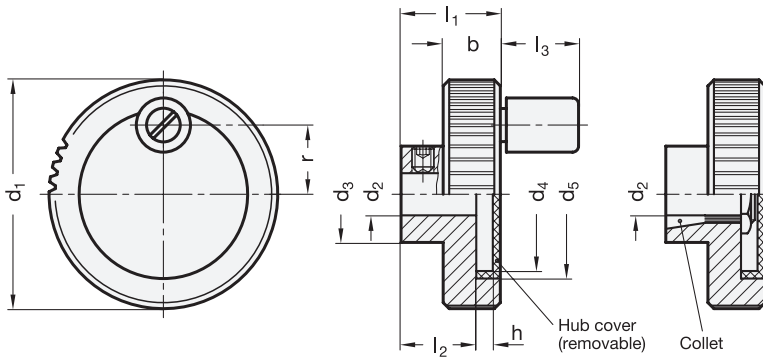


Range extended!



**2 Bore code**

- B** without keyway
- K** with keyway
- Z** with collet

**4 Type**

- A** without handle
- D** with revolving handle

1

3

d <sub>1</sub>	d <sub>2</sub> H8 Bore	d <sub>3</sub>	d <sub>4</sub>	d <sub>5</sub>	b -0,5	h	l <sub>1</sub>	l <sub>2</sub>	l <sub>3</sub> ≈	r	Ø Handle
52	10	22	37	39,5	13	3,8	23	17	19	15,5	13
62	10	25	47	49,5	13	3,8	23	17	21	20,5	14

**Specification**

- Aluminium anodized, black
- Hub cover Plastic, light grey
- Collet / Hexagon nut Brass
- Stainless Steel-Grub screw DIN 916 with internal hexagon and serrated point
- Revolving cylindrical handles GN 599.5 Plastic, Technopolymer black, matt
- Keyway P9 DIN 6885 → Page 314
- ISO-Fundamental Tolerances → Page 323
- RoHS compliant

**Information**

Control handwheels GN 736 are used for setting operations with low torque.

Coarse setting is made by means of the cylindrical handle (fingertip grip) followed by fine setting using the knurled rim of the handwheel.

see also...

- Control handwheels GN 735 (Plastic) → Main Catalogue Page 176
- Countersunk washers GN 184 (for axial fixing) → Main Catalogue Page 542
- Clamping elements GN 826 (for adjustable spindles) → Page 170

How to order 	1 d <sub>1</sub>
	2 Bore code
	3 d <sub>2</sub>
	4 Type