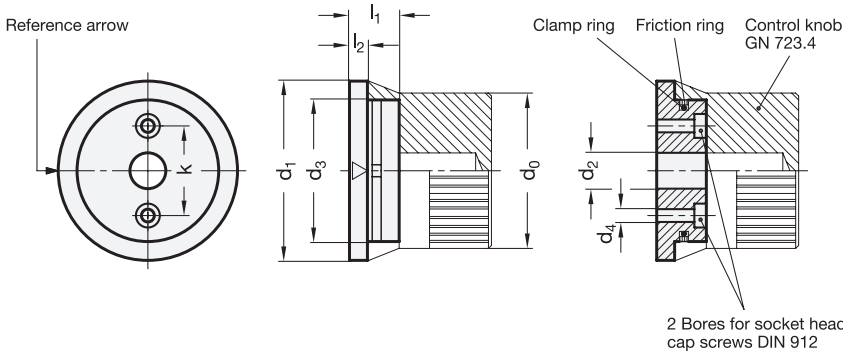




**3 Type**

- A** with friction ring
- B** without friction ring



<b>d<sub>0</sub></b> Control knob Ø GN 723.4	<b>d<sub>1</sub></b>	<b>d<sub>2</sub> H8</b>		<b>d<sub>3</sub> -0,1</b>	<b>d<sub>4</sub></b>	<b>k</b>	<b>l<sub>1</sub></b>	<b>l<sub>2</sub></b>
27	33,5	B 6	-	23,3	3,4	13	11,2	4
34	41	B 6	B 8	29,3	3,4	18	14,2	5
42	50	B 8	B 10	37,3	4,5	24	16,2	5
52	60	B 10	B 12	47,3	4,5	30	17,2	6

**Specification**

- Aluminium  
anodized, black
- Reference arrow  
white, engraved with laser precision
- Clamp ring  
Rubber
- Friction ring  
Polyamide
- ISO-Fundamental Tolerances → Page 1132

**Information**

Reference flanges GN 723.3 are used together with control knobs GN 723.4 which offer the following advantages:

- they have a reference mark to line up with the control knob scale,
- they offer additional support for the control shaft,
- the version with friction ring prevents an unexpected movement of the control knob by vibration.

see also...

- Control knobs GN 723.4 → Page 348

How to order

**GN 723.3-50-B8-A**

- 1** d<sub>1</sub>
- 2** d<sub>2</sub>
- 3** Type