

I.218 | Handle

Duroplast

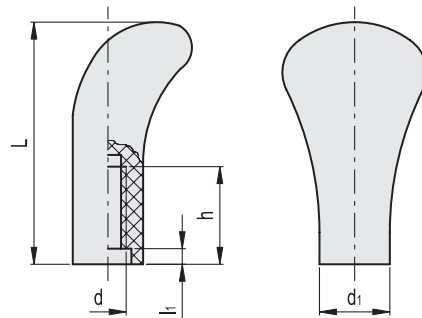


MATERIAL

Phenolic based (PF) Duroplast, black colour, glossy finish.

STANDARD EXECUTION

Threaded blind hole.



Code	Description	L	d	d1	h	l1	⚖
20801	I.218/60-M10	62	M10	18	25	4	32

- 1
- 2
- 3
- 4
- 5
- 6
- 7
- 8
- 9
- 10
- 11
- 12
- 13
- 14
- 15
- RH

Fixed & revolving handles