

MATERIAL

High-resilience polypropylene based (PP) technopolymer, coated with "soft-touch" thermoplastic elastomer (TPE) chemically bonded, hardness 70 Shore A, black colour, matte finish.

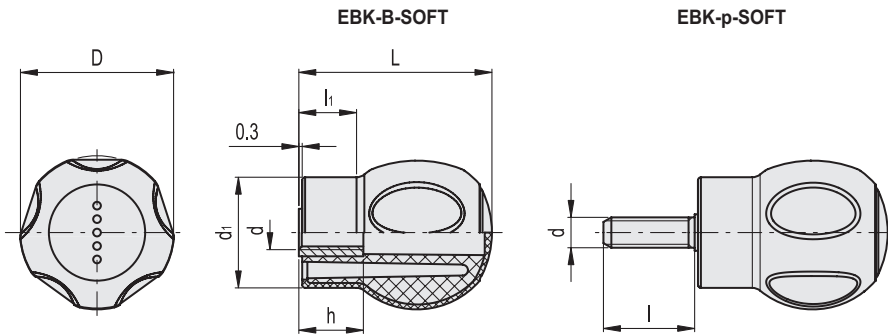
The coating material is certified in compliance with FDA (U.S. Food and Drug Administration).

STANDARD EXECUTIONS

- **EBK-B-SOFT:** brass boss, threaded blind hole.
 - **EBK-p-SOFT:** zinc-plated steel threaded stud, chamfered flat end
- UNI 947 : ISO 4753 (see Technical data on page A-11).

FEATURES AND APPLICATIONS

The coating, with "soft-touch" elastomer, improves the grip even in the presence of oils, greases and sweat from the hand. For this reason it is suitable for fitness machines, tools and machines for gardening and goods transport, high-precision instruments and disability aids.



EBK-B-SOFT

Code	Description	D	L	dH	d1	h	l1	Δ
245101-C1	EBK.43 B-M6-SOFT-C1	43	55	M6	32.5	18	17.5	74
245103-C1	EBK.43 B-M8-SOFT-C1	43	55	M8	32.5	18	17.5	72
245105-C1	EBK.43 B-M10-SOFT-C1	43	55	M10	32.5	18	17.5	71
245203-C1	EBK.50 B-M8-SOFT-C1	50	64	M8	37	26	20	86
245205-C1	EBK.50 B-M10-SOFT-C1	50	64	M10	37	26	20	83
245207-C1	EBK.50 B-M12-SOFT-C1	50	64	M12	37	26	20	79

EBK-p-SOFT

Code	Description	D	L	d6g	d1	l	l1	Δ
245121-C1	EBK.43 p-M6x16-C1-SOFT	43	55	M6	32.5	16	17.5	74
245123-C1	EBK.43 p-M6x20-C1-SOFT	43	55	M6	32.5	20	17.5	76
245125-C1	EBK.43 p-M6x25-C1-SOFT	43	55	M6	32.5	25	17.5	78
245131-C1	EBK.43 p-M8x16-SOFT-C1	43	55	M8	32.5	16	17.5	80
245133-C1	EBK.43 p-M8x20-SOFT-C1	43	55	M8	32.5	20	17.5	81
245135-C1	EBK.43 p-M8x25-SOFT-C1	43	55	M8	32.5	25	17.5	83
245137-C1	EBK.43 p-M8x30-SOFT-C1	43	55	M8	32.5	30	17.5	85
245143-C1	EBK.43 p-M10x20-SOFT-C1	43	55	M10	32.5	20	17.5	83
245144-C1	EBK.43 p-M10x25-SOFT-C1	43	55	M10	32.5	25	17.5	86
245147-C1	EBK.43 p-M10x30-SOFT-C1	43	55	M10	32.5	30	17.5	89
245151-C1	EBK.43 p-M10x50-SOFT-C1	43	55	M10	32.5	50	17.5	98
245231-C1	EBK.50 p-M8x16-SOFT-C1	50	64	M8	37	16	20	80
245233-C1	EBK.50 p-M8x20-SOFT-C1	50	64	M8	37	20	20	86
245235-C1	EBK.50 p-M8x25-SOFT-C1	50	64	M8	37	25	20	91
245237-C1	EBK.50 p-M8x30-SOFT-C1	50	64	M8	37	30	20	97
245243-C1	EBK.50 p-M10x20-SOFT-C1	50	64	M10	37	20	20	110
245244-C1	EBK.50 p-M10x25-SOFT-C1	50	64	M10	37	25	20	116
245247-C1	EBK.50 p-M10x30-SOFT-C1	50	64	M10	37	30	20	122
245251-C1	EBK.50 p-M10x50-SOFT-C1	50	64	M10	37	50	20	143



Fixed & revolving handles