

# L.652M | Handles

Aluminium



- 1
- 2
- 3
- 4
- 5
- 6
- 7
- 8
- 9
- 10
- 11
- 12
- 13
- 14
- 15
- RH

## STANDARD EXECUTIONS

Plain or tapped blind hole.

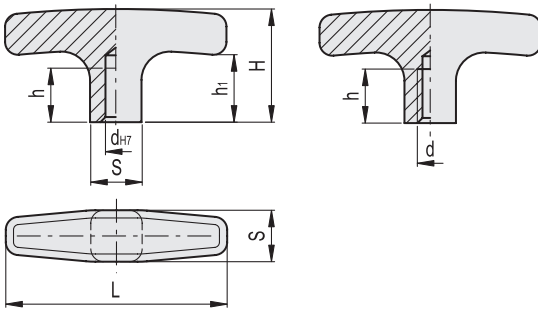
- **L.652M**: natural aluminium.
- **L.652M-C9**: aluminium with epoxy resin coating, RAL 9005 black colour, matte finish.

## SPECIAL EXECUTIONS ON REQUEST

Aluminium with epoxy resin coating, RAL 9006 grey colour, matte finish.



ELESA Original design



### L.652M

Code	Description	L	d	dH7	S	H	h	h1	△
33432	L.652-M-AL-55-B6	55	-	6	14	33	12	22	30
33433	L.652-M-AL-55-M6	55	M6	-	14	33	12	22	30
33442	L.652-M-AL-67-B8	67	-	8	16	37	16	25	45
33443	L.652-M-AL-67-M8	67	M8	-	16	37	16	25	45
33452	L.652-M-AL-80-B8	80	-	8	20	41	16	26	80
33453	L.652-M-AL-80-M8	80	M8	-	20	41	16	26	80

### L.652M-C9

Code	Description	L	d	dH7	S	H	h	h1	△
33437	L.652-M-AL-55-B6-C9	55	-	6	14	33	12	22	30
33438	L.652-M-AL-55-M6-C9	55	M6	-	14	33	12	22	30
33447	L.652-M-AL-67-B8-C9	67	-	8	16	37	16	25	45
33448	L.652-M-AL-67-M8-C9	67	M8	-	16	37	16	25	45
33457	L.652-M-AL-80-B8-C9	80	-	8	20	41	16	26	80
33458	L.652-M-AL-80-M8-C9	80	M8	-	20	41	16	26	80

Fixed & revolving handles