

- 1
- 2
- 3
- 4
- 5
- 6
- 7
- 8
- 9
- 10
- 11
- 12
- 13
- 14
- 15

HANDLE SHANKS

Glass-fibre reinforced polyamide based (PA) technopolymer, matte finish.

END CAPS

Polyamide based (PA) technopolymer, matte finish.

MOUNTING

M.1066-FM: front mounting by means of black-oxide steel M8x90 cylindrical-head screws with hexagon socket, black-oxide steel nuts and washers. Brass screw-guide bushes.

M.1066-BM: back mounting by means of special zinc-plated steel screws with threaded blind holes, fitted to the tube by means of steel nuts.

STANDARD EXECUTIONS

- **M.1066 FM:** aluminium tube, epoxy resin coating, metallflake graphite colour, matte finish, handle shanks and end caps in graphite colour similar to RAL 9004.
- **M.1066 BM-EP:** aluminium tube, epoxy resin coating, metallflake graphite colour, matte finish. Highly resistant to wear, scratches and chemical agents. Avoid continuous and prolonged contact with boiling water or steam.
- **M.1066 BM-AN:** anodised aluminium tube, natural colour.
- **M.1066 BM-SST:** AISI 304 stainless steel tube.
- **M.1066 BM-CLEAN:** aluminium tube, coating in white colour similar to RAL 9002, handle shanks and end caps in white colour similar to RAL 9002.

FEATURES AND APPLICATIONS

M.1066-BM-CLEAN, thanks to its RAL 9002 white colour with glossy finish, is particularly suitable for applications on medical and hospital equipment and on food processing machines whose parts, for hygienic reasons, must be frequently cleaned. Its solid shape without cavities prevents unhealthy residues from depositing.

TECHNICAL DATA

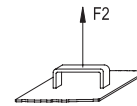
Tensile stress: F2 values reported in the table are the result of breaking tests carried out with the appropriate dynamometric equipment under the test conditions shown in the figure with ambient temperature.

SPECIAL EXECUTIONS ON REQUEST

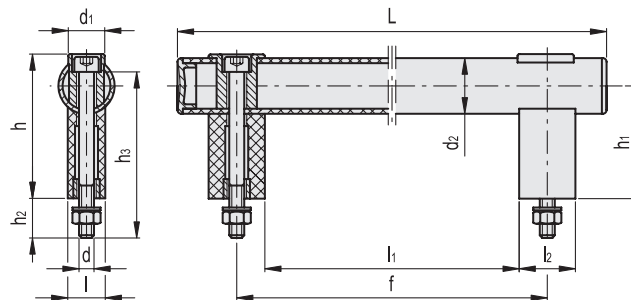
- Different lengths. For tube longer than 700 mm, an additional shank (at the middle of the length) can be supplied.
- Other colours.



ELESA Original design



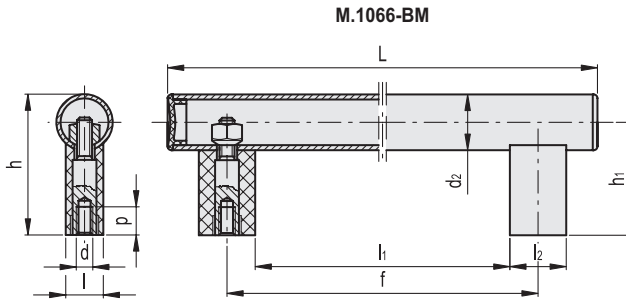
M.1066-FM



M.1066 FM

Code	Description	f±1	L	d	d1	h	h1	h2	h3	l	l1	l2	d2	F2 [N]*	F2 [N]#	⚖
37851	M.1066 FM/30-200	200	265	M8	13	77	60	22	90	18	170	30	30	4400	6500	270
37856	M.1066 FM/30-250	250	315	M8	13	77	60	22	90	18	220	30	30	3500	6000	290
37861	M.1066 FM/30-300	300	365	M8	13	77	60	22	90	18	270	30	30	3300	5700	310
37866	M.1066 FM/30-400	400	465	M8	13	77	60	22	90	18	370	30	30	2400	4500	350
37871	M.1066 FM/30-500	500	565	M8	13	77	60	22	90	18	470	30	30	1500	3800	390
37876	M.1066 FM/30-600	600	665	M8	13	77	60	22	90	18	570	30	30	880	3200	430

* Maximum working load # Load at breakage.



M.1066 BM-EP

Code	Description	fz1	L	d	h	h1	l	l1	l2	d2	p	F2 [N]*	F2 [N]#	⚖
37801	M.1066 BM/30-200-EP	200	265	M8	75	60	18	170	30	30	15	4400	6500	240
37806	M.1066 BM/30-250-EP	250	315	M8	75	60	18	220	30	30	15	3500	6000	260
37811	M.1066 BM/30-300-EP	300	365	M8	75	60	18	270	30	30	15	3300	5700	280
37816	M.1066 BM/30-400-EP	400	465	M8	75	60	18	370	30	30	15	2400	4500	320
37821	M.1066 BM/30-500-EP	500	565	M8	75	60	18	470	30	30	15	1500	3800	360
37826	M.1066 BM/30-600-EP	600	665	M8	75	60	18	570	30	30	15	880	3200	380

M.1066 BM-AN

Code	Description	fz1	L	d	h	h1	l	l1	l2	d2	p	F2 [N]*	F2 [N]#	⚖
37803	M.1066 BM/30-200-AN	200	265	M8	75	60	18	170	30	30	15	4400	6500	240
37808	M.1066 BM/30-250-AN	250	315	M8	75	60	18	220	30	30	15	3500	6000	260
37813	M.1066 BM/30-300-AN	300	365	M8	75	60	18	270	30	30	15	3300	5700	280
37818	M.1066 BM/30-400-AN	400	465	M8	75	60	18	370	30	30	15	2400	4500	320
37823	M.1066 BM/30-500-AN	500	565	M8	75	60	18	470	30	30	15	1500	3800	360
37828	M.1066 BM/30-600-AN	600	665	M8	75	60	18	570	30	30	15	880	3200	380

M.1066 BM-SST

INOX STAINLESS STEEL

Code	Description	fz1	L	d	h	h1	l	l1	l2	d2	p	F2 [N]*	F2 [N]#	⚖
37802	M.1066 BM/30-200-SST	200	265	M8	78	60	18	170	30	30	15	440	6500	242
37807	M.1066 BM/30-250-SST	250	315	M8	75	60	18	220	30	30	15	3500	6500	262
37812	M.1066 BM/30-300-SST	300	365	M8	75	60	18	270	30	30	15	3300	5700	282
37817	M.1066 BM/30-400-SST	400	465	M8	75	60	18	370	30	30	15	2400	4500	322
37822	M.1066 BM/30-500-SST	500	565	M8	75	60	18	470	30	30	15	1500	3800	362
37827	M.1066 BM/30-600-SST	600	665	M8	75	60	18	570	30	30	15	880	3200	382

M.1066 BM-CLEAN

Code	Description	fz1	L	d	h	h1	l	l1	l2	d2	p	F2 [N]*	F2 [N]#	⚖
151501	M.1066 BM/30-200 CLEAN	200	265	M8	75	60	18	170	30	30	15	4400	6500	240
151506	M.1066 BM/30-250 CLEAN	250	315	M8	75	60	18	220	30	30	15	3500	6000	260
151511	M.1066 BM/30-300 CLEAN	300	365	M8	75	60	18	270	30	30	15	3300	5700	280
151513	M.1066 BM/30-350 CLEAN	350	415	M8	75	60	18	320	30	30	15	3300	5700	300
151516	M.1066 BM/30-400 CLEAN	400	465	M8	75	60	18	370	30	30	15	2400	4500	320
151521	M.1066 BM/30-500 CLEAN	500	565	M8	75	60	18	470	30	30	15	1500	3800	360
151526	M.1066 BM/30-600 CLEAN	600	665	M8	75	60	18	570	30	30	15	880	3200	380

* Maximum working load
Load at breakage.

